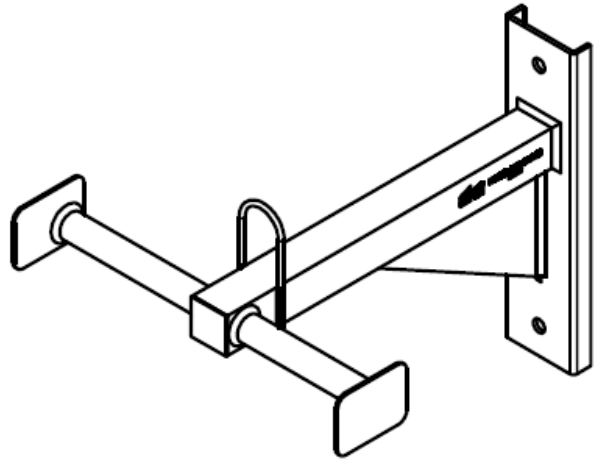




141 Rodeo Drive
Edgewood, NY 11717
Toll Free 888.844.4720
www.tiitech.com



Model LDR-BRK SERIES

Fixed Pole Mounted Ladder Bracket, Installation Note

Description

The Fixed Pole Mounted Ladder Brackets provides a stable platform to lean an extension ladder against, creating a safe foundation for a worker to climb a ladder and perform routine service functions on a pole mounted FDH or similar device.

Installation

1. Determine position of the bracket; recommendation is approximately 12-inches below the cabinet.
2. Drill the first hole through the pole and loosely secure the top of the ladder bracket using appropriate through bolt and necessary hardware (recommendation is 5/8-inch bolts, washers and nuts). (Figure 1).
3. Using the bracket as a template, mark location of bottom hole. Move ladder bracket out of the way while drilling. Secure bottom of ladder bracket to the pole following the same procedure as Step 2.

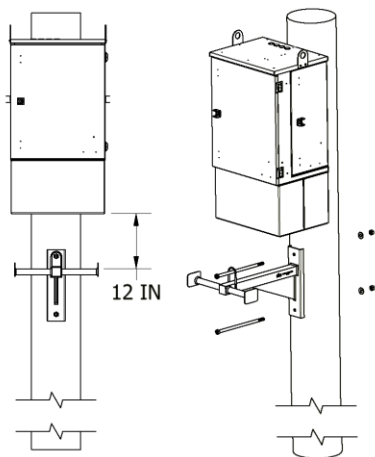


Figure 1

Ladder Bracket Safety:

It is recommended that when working on a ladder that is against a pole mounted ladder bracket all company and industry established safety practices for working aloft on a ladder are followed at all times.

1. The ladder should be centered on the horizontal bar of the ladder bracket and secured to it per company safety practices.
2. The technician should belt into the bracket by passing belt strap under the top rung of the ladder, across the top of the ladder bracket, through the ladder bracket attachment loop on the top of the ladder bracket, back through the top rung of the ladder on the other side and attach to body belt. (Figure 2).



Figure 2

3. Verify both ends of the safety harness are clipped in, and the harness is properly looped over the ladder bracket, through the belt hoop as shown. (Figure 3).



Figure 3