



141 Rodeo Drive
Edgewood, NY 11717
Toll Free 888.844.4720
www.tiitech.com

Model FET4G
48 FIBER OUTDOOR FIBER DEMARCATION ENCLOSURE



Installation Note

Description

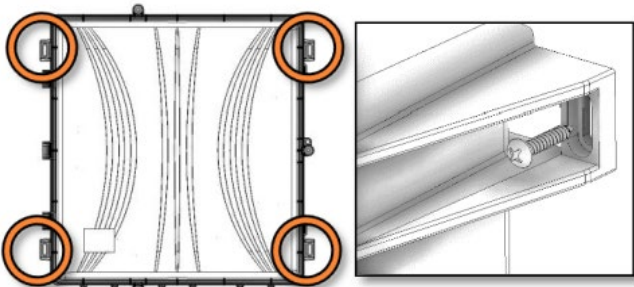
The FET4G fiber demarcation enclosure is a compact unit which features connectivity between the OSP fiber drops and customer fiber drops. This weatherproof design is ideally suited for indoor/outdoor pole or wallmount installations and is configured for up to 48 patch and splice fiber terminations.

Contents

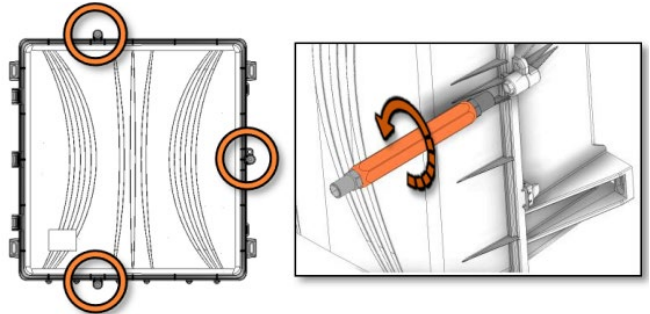
- FET4G enclosure
- Zip ties
- Splice chips
- Mounting screws

Installation

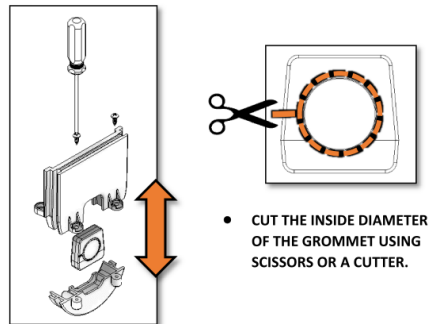
1. Select a vertical wall surface that is easily accessible with adequate clearance from electrical light fixtures, equipment and power circuits.
2. Mount terminal with four #10 Screws:



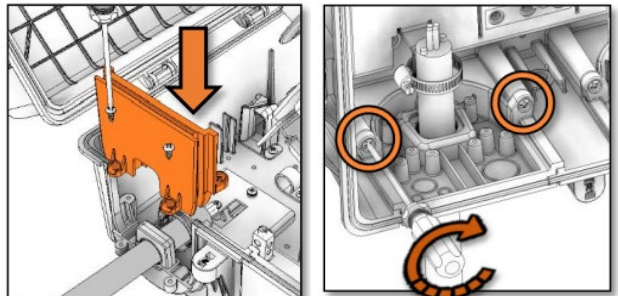
3. Open the Outside Door



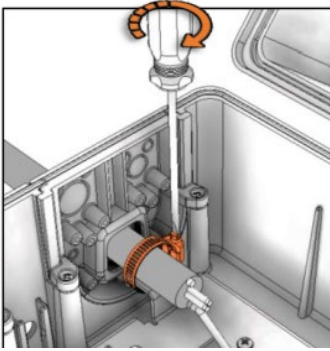
4. Open and Remove Feeder Port Cap



5. Install Feeder Cable thru Left Port Cap and Reinstall Port Cap in Enclosure



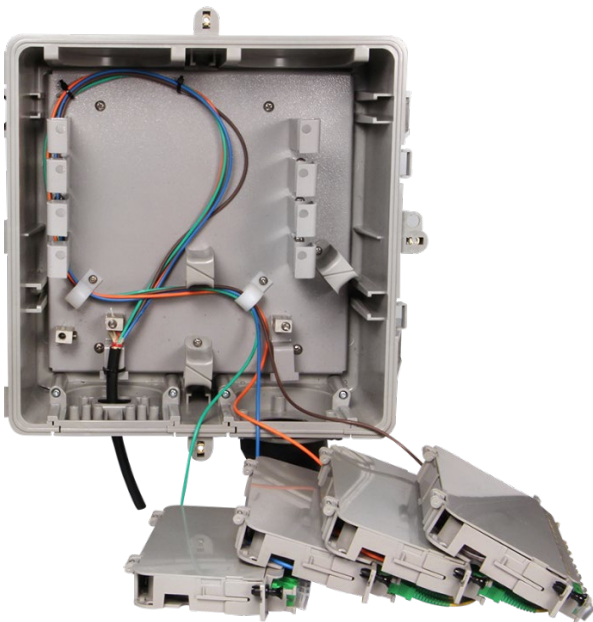
6. Secure Feeder Jacket and Strength Member



7. Remove All Cassettes

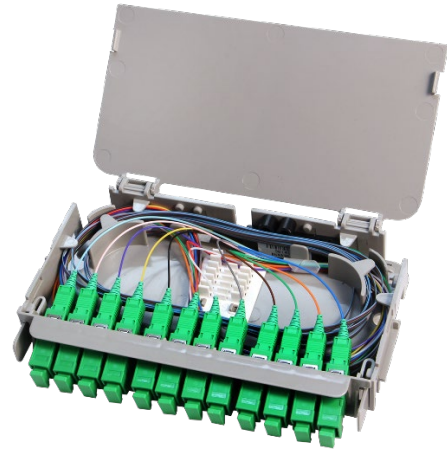


8. Route Feeder Buffer Tube in Base in a Counter-Clockwise Manner.



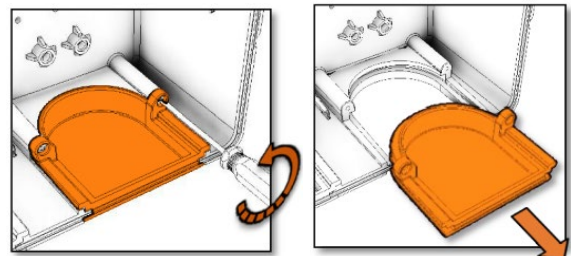
9. Secure each Buffer tube to Cassette using Zip Tie.

10. Fusion Splice (if applicable) each fiber in Cassette per Standard Practice.

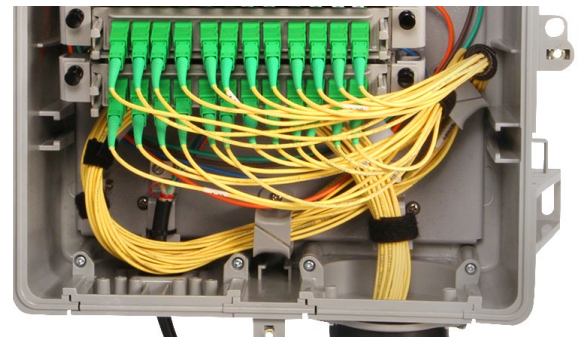


11. Reinstall cassettes.

12. Install Drop Fibers thru Soft Grommet Port



13. Install Drop Fibers, routing them to the right side. Secure Drop Fibers to T-Bar strain relief feature using Velcro or Zip Ties.



14. Close and Secure Cover.