

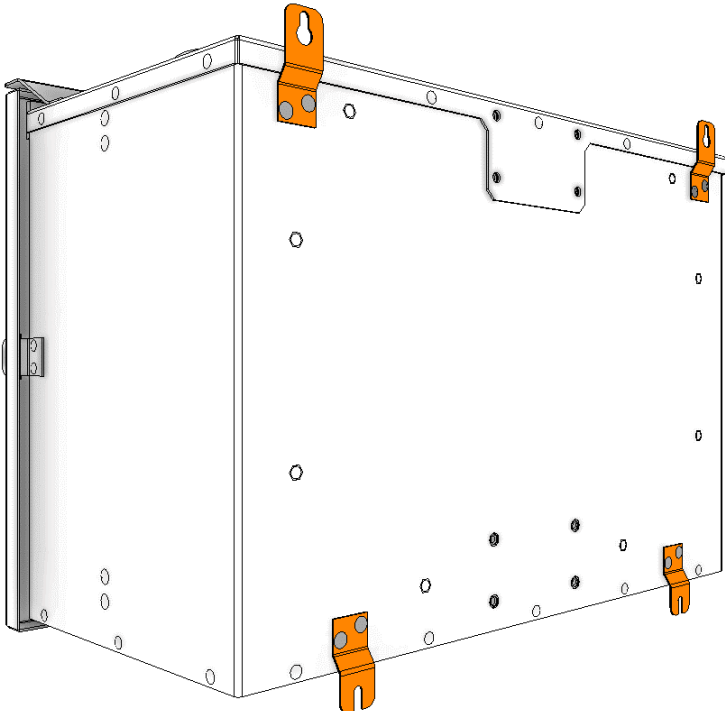
141 Rodeo Drive
Edgewood, NY 11717
Toll Free 888.844.4720
www.titech.com

INSTALLATION NOTE



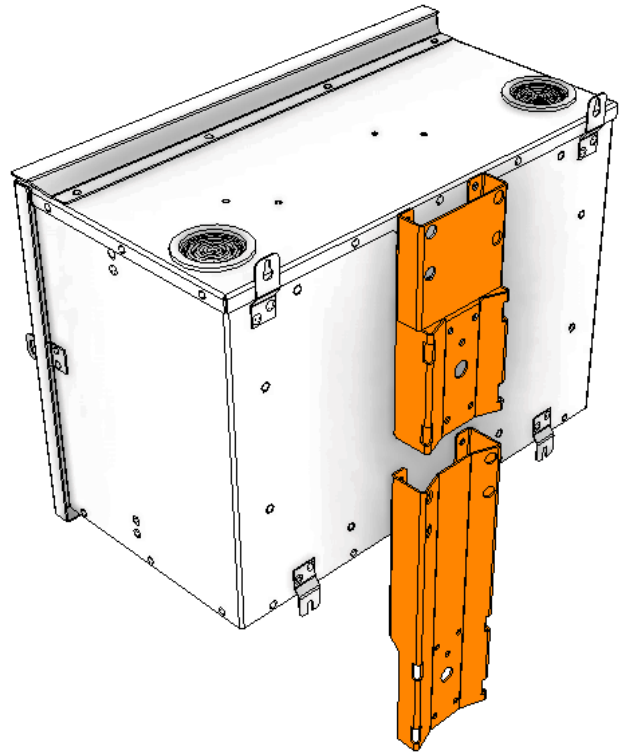
MODEL: FDH/2
INDOOR/OUTDOOR DISTRIBUTION HUB

WALL MOUNTING

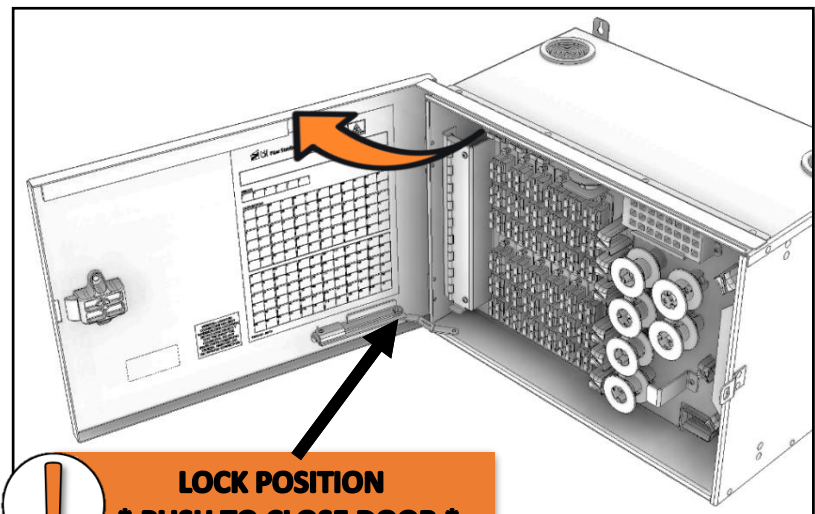
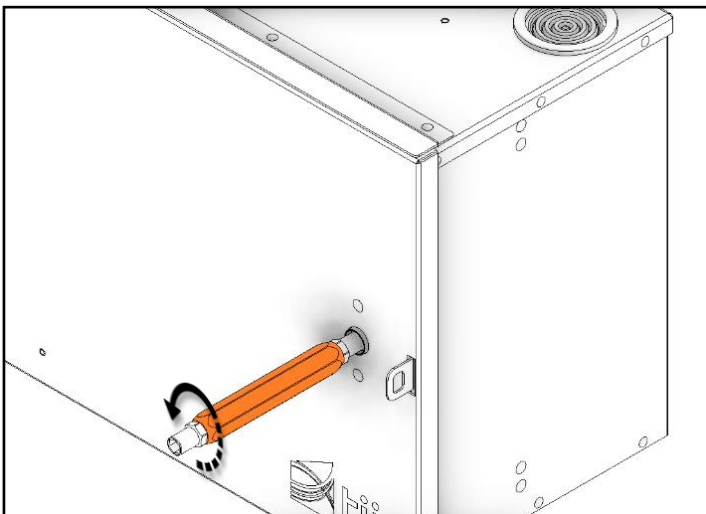


 USE #12-1/2" WOOD SCREWS ON THE 4 POINT BRACKETS TO ATTACH CABINET TO WALL.

POLE MOUNTING (OPTIONAL)

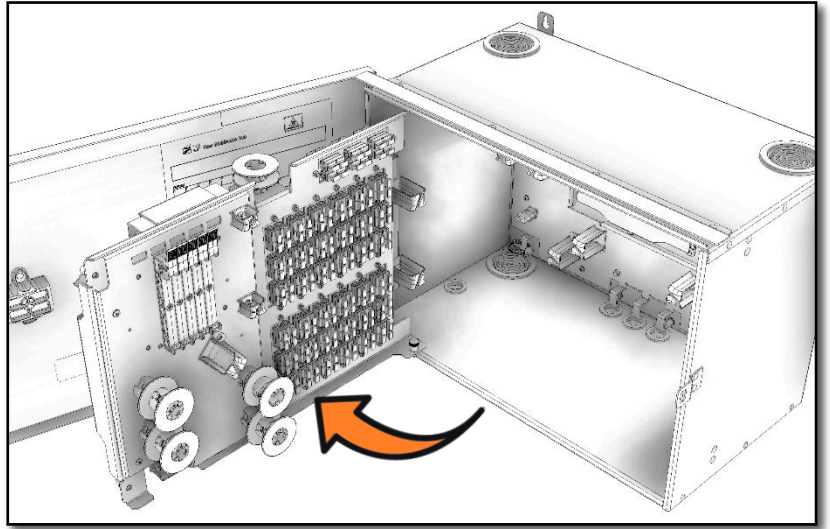
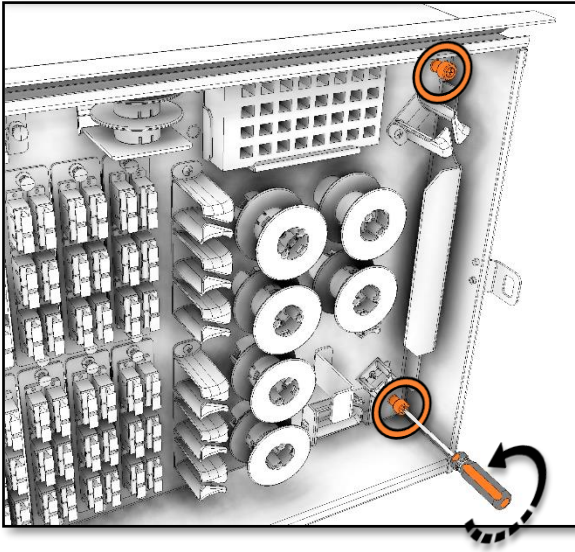


2. OPENING CABINET DOOR.



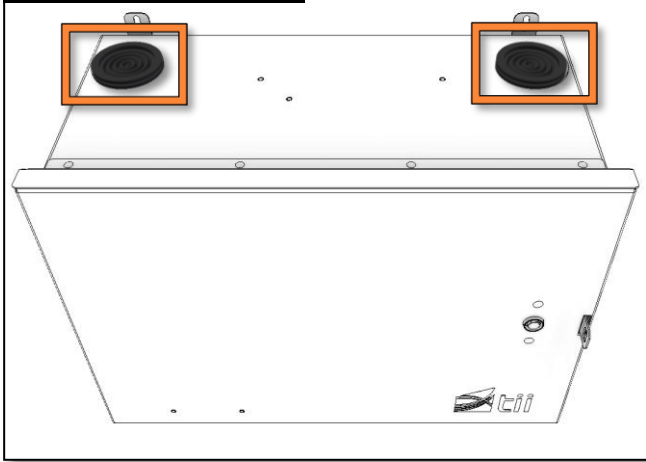
 **LOCK POSITION**
*** PUSH TO CLOSE DOOR ***

3. OPENING THE INSIDE PANEL.

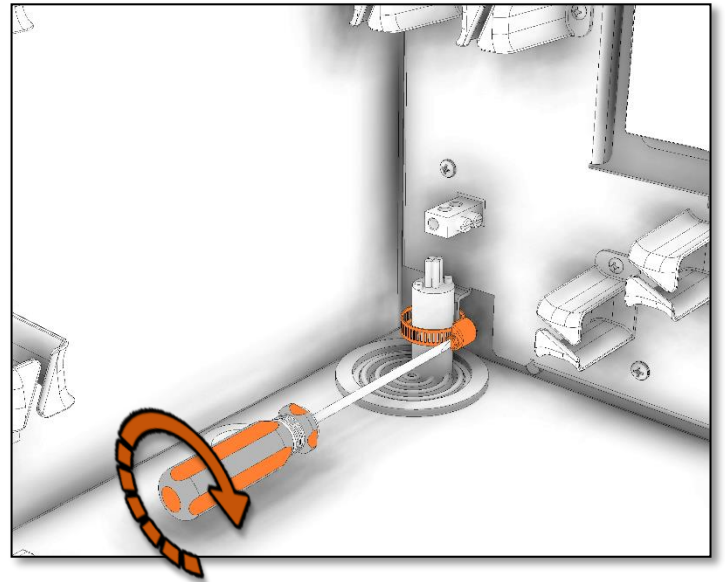
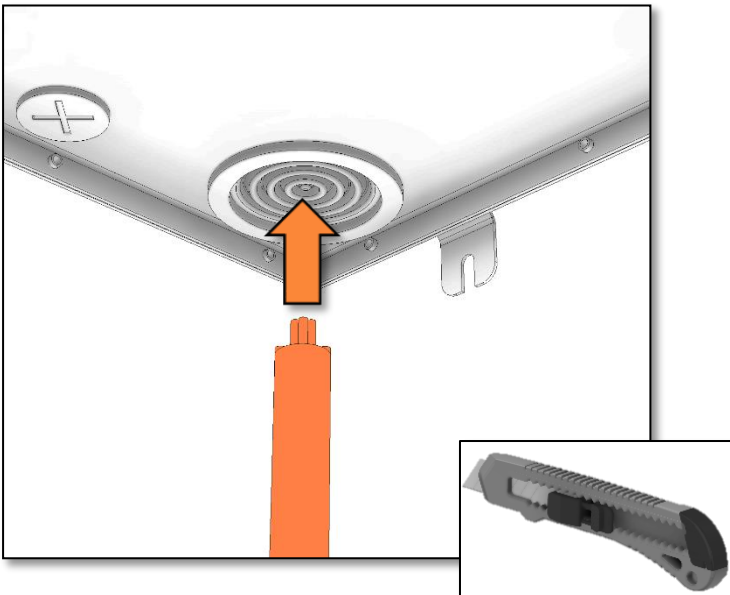
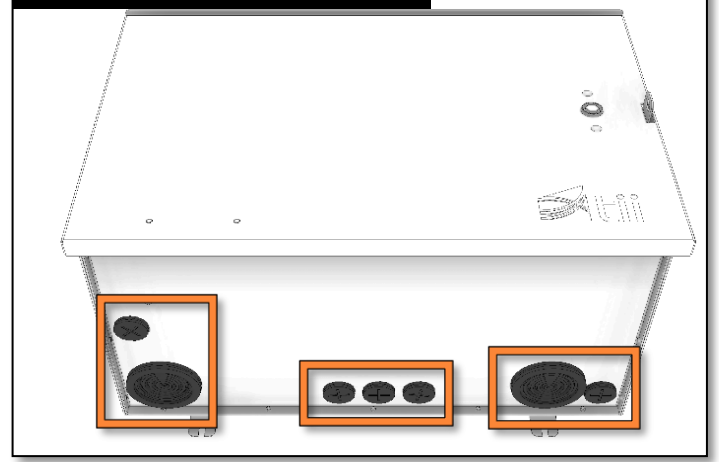


4. INSTALLING CABLES THROUGH THE PORTS.

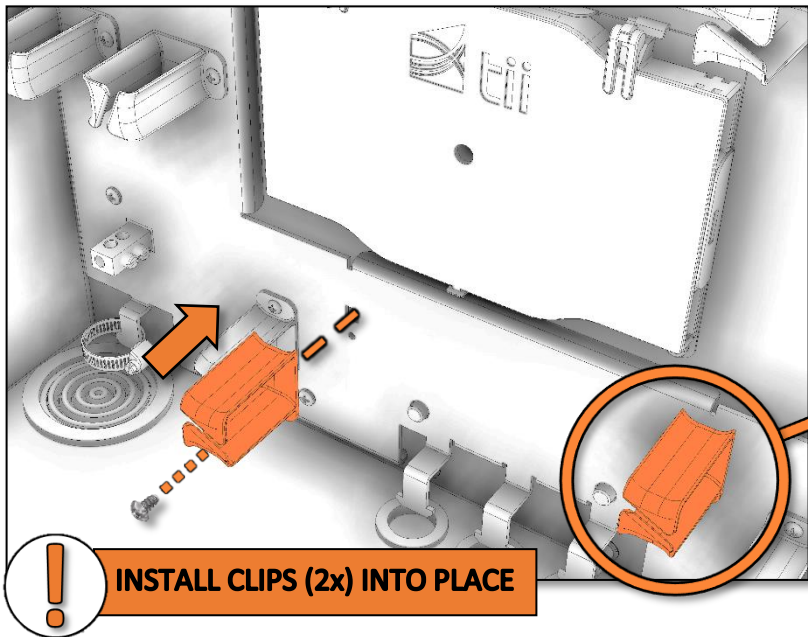
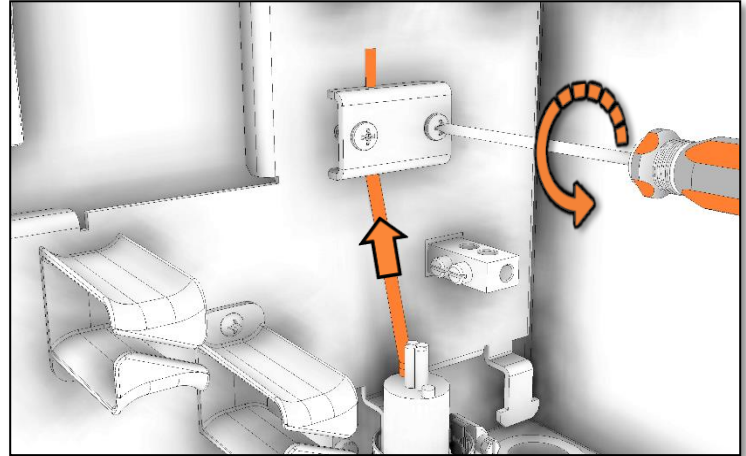
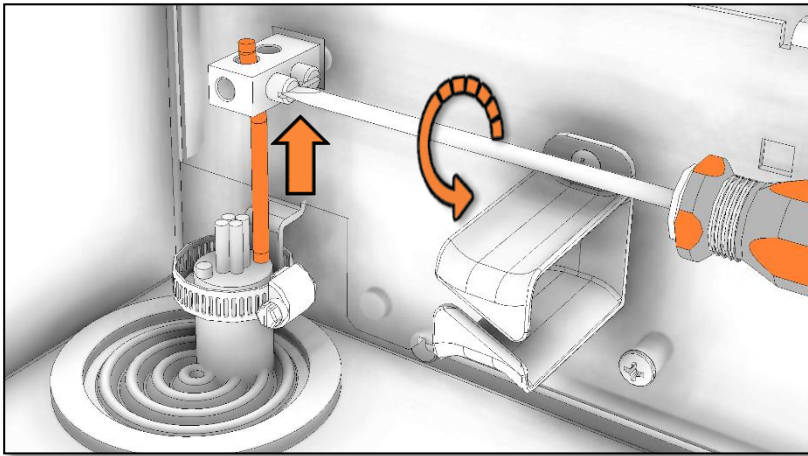
TOP PORT ENTRIES



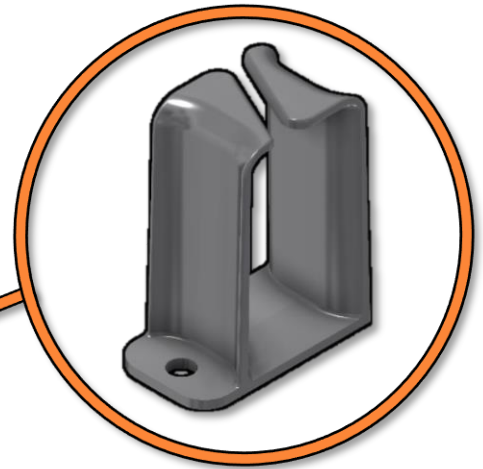
BOTTOM PORT ENTRIES



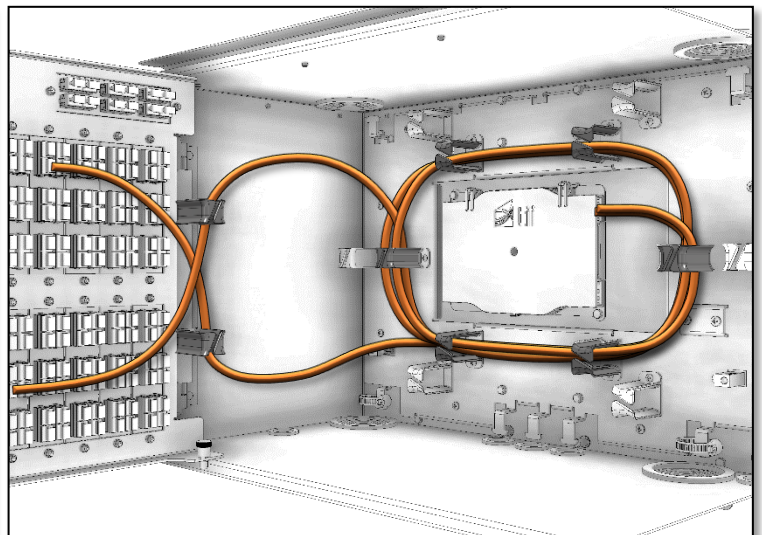
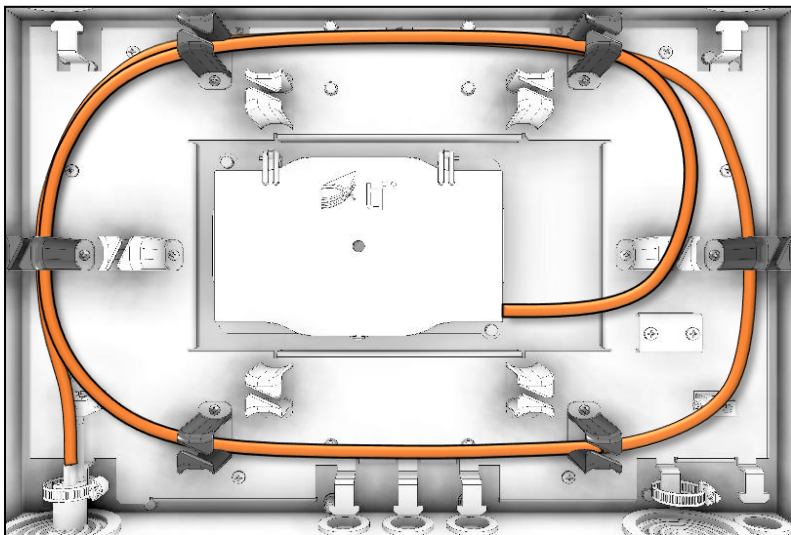
5. SECURING STRENGTH MEMBER



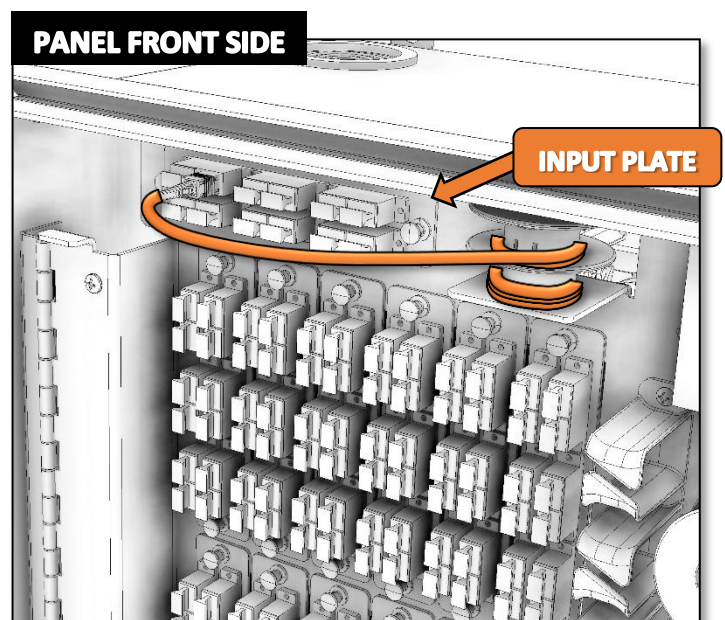
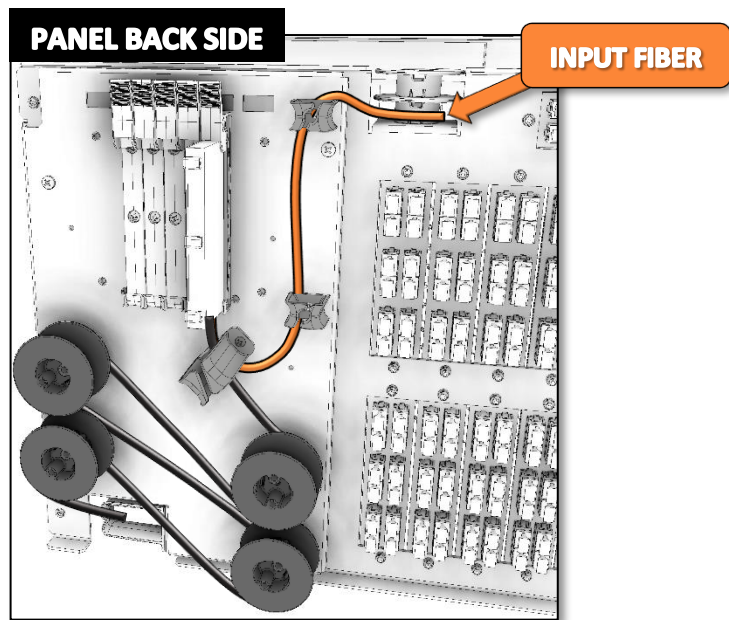
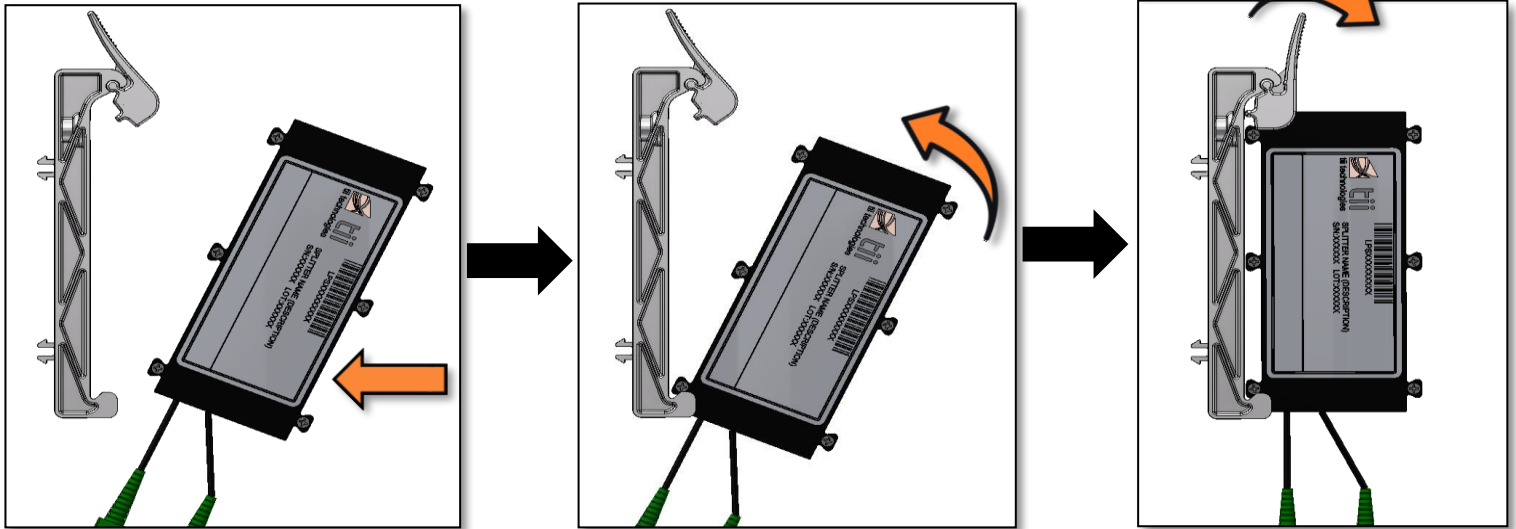
INSTALL CLIPS (2x) INTO PLACE



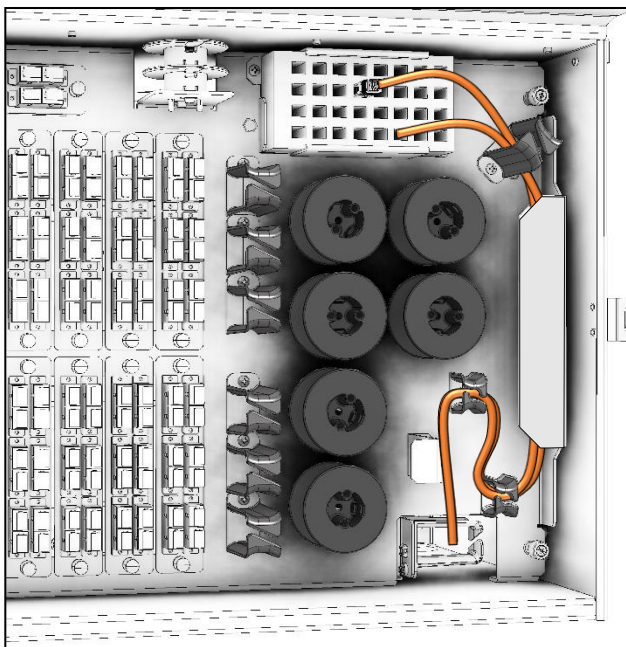
6. ROUTING TUBES AND SPLICING



7. INSTALLING AND CONNECTING THE SPLITTER MODULE



8. STORING PIGTAILS FOR FUTURE USE



9. ROUTING DROPS FOR DISTRIBUTION

