

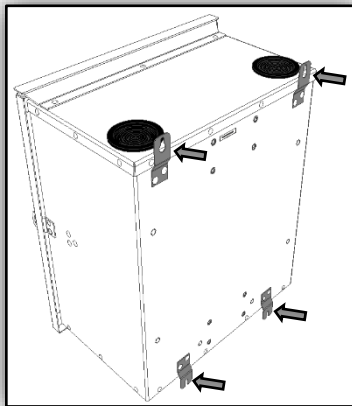
Corporate Headquarters:

141 Rodeo Drive
 Edgewood, NY 11717
 Phone: 631.789.5000
 Fax: 631.789.5063
 Toll Free: 888.844.4720
 sales@tiitech.com

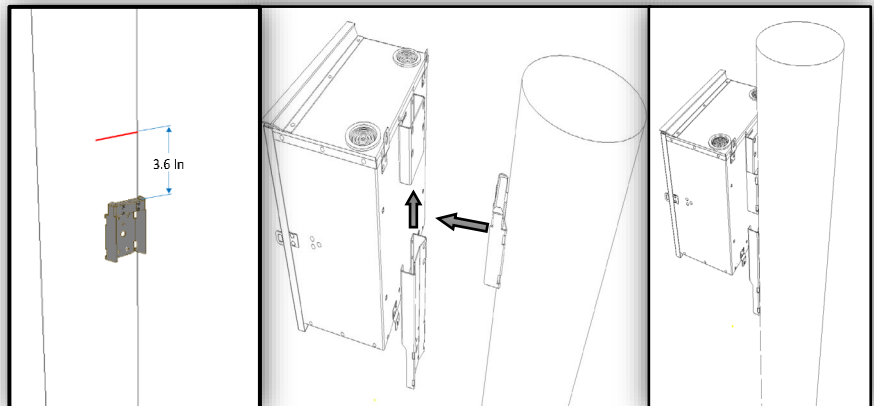
www.tiitech.com



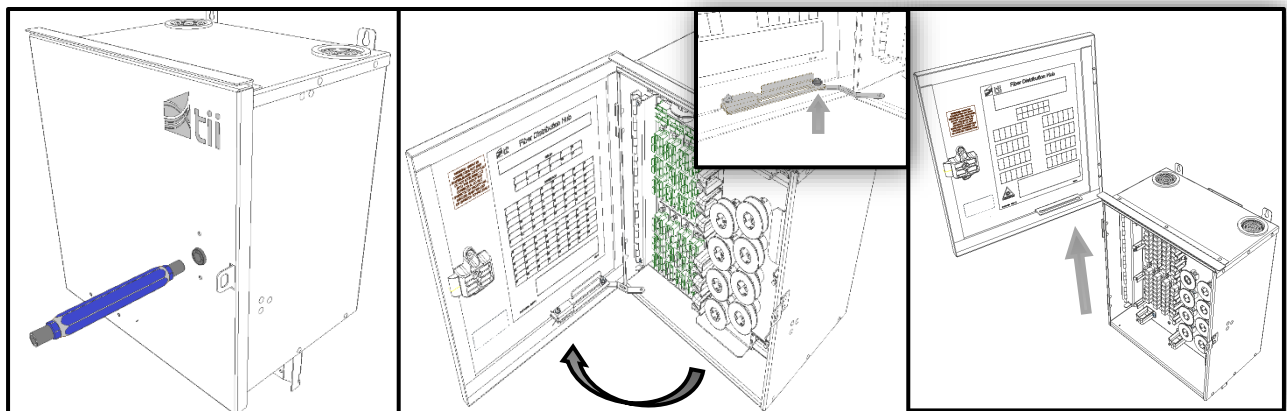
Models: FDH/1 INDOOR / OUTDOOR DISTRIBUTION HUB



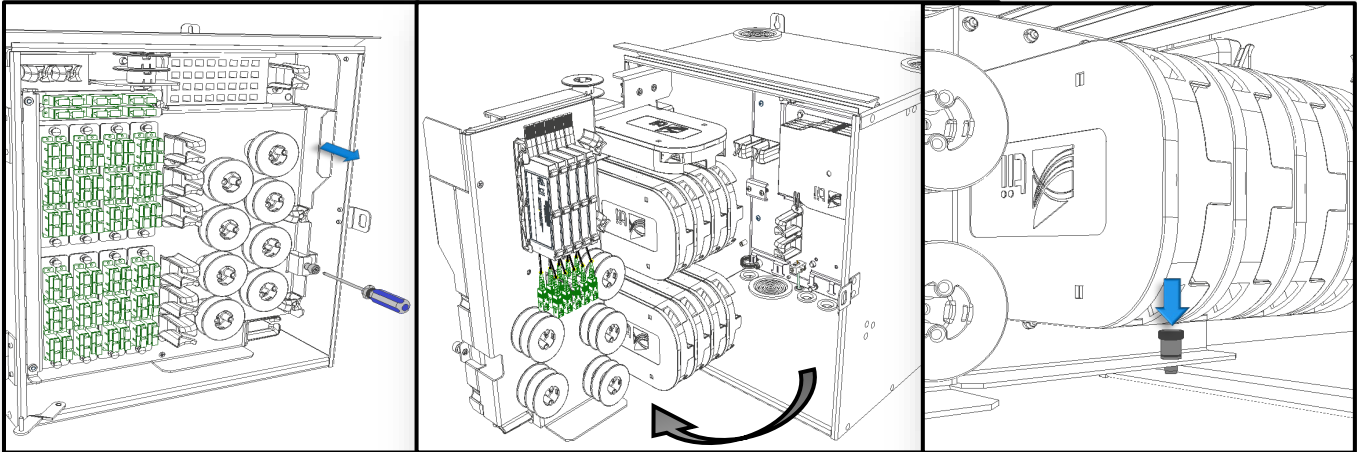
1a. For wall installation, use the four provided mounting brackets with #12 or #10 bolts



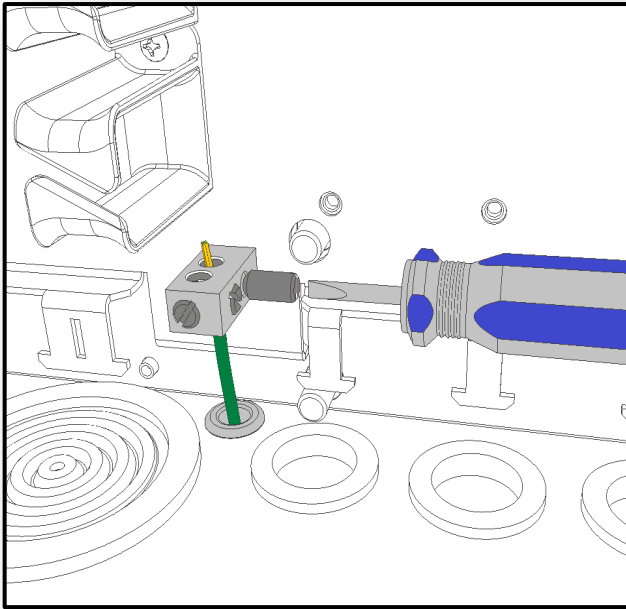
1b. For pole installation, mark on the pole the desired location for the cabinet top. Install the pole bracket 3.6 inches below that mark, with screws or metal straps. Slide the cabinet over the pole



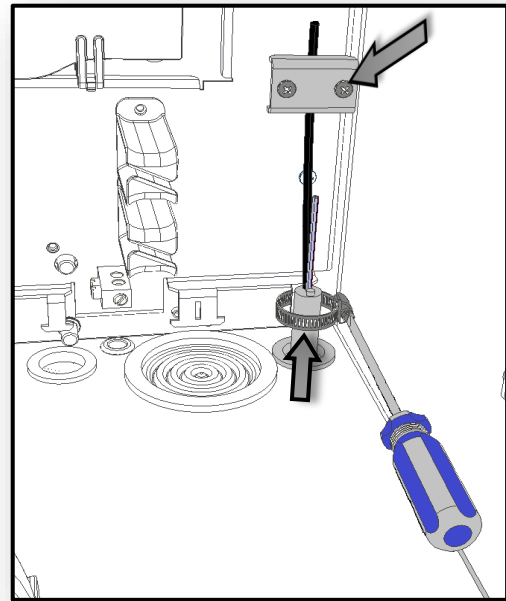
2. Open door with 3-16 tool. When fully open, the wind latch mechanism will prevent the door from closing. Push on the wind latch to close. The door can be removed if needed.



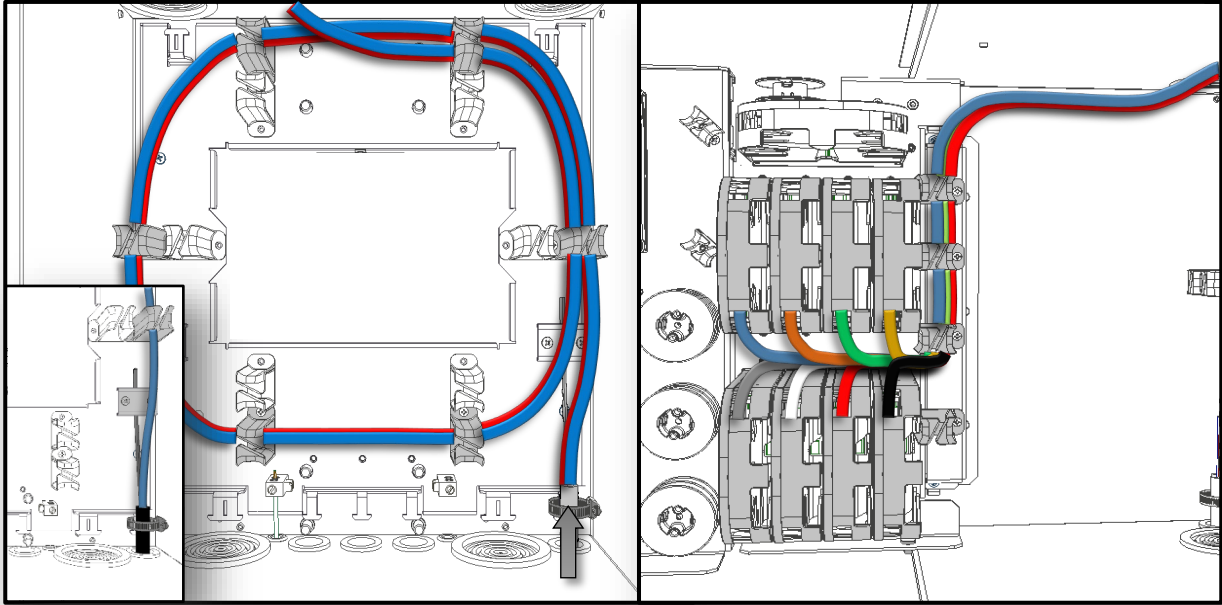
3. Open the inner panel until the plunger catches to prevent it from closing accidentally.



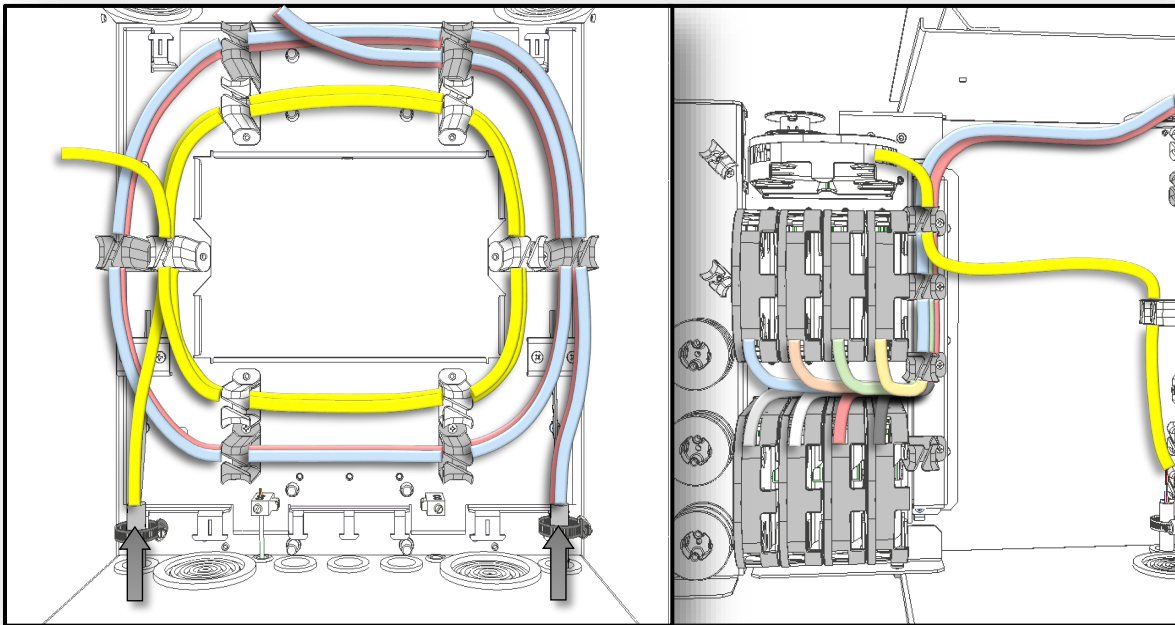
4. Bring grounding cable thru provided hole on bottom, and securely fix to grounding bar.



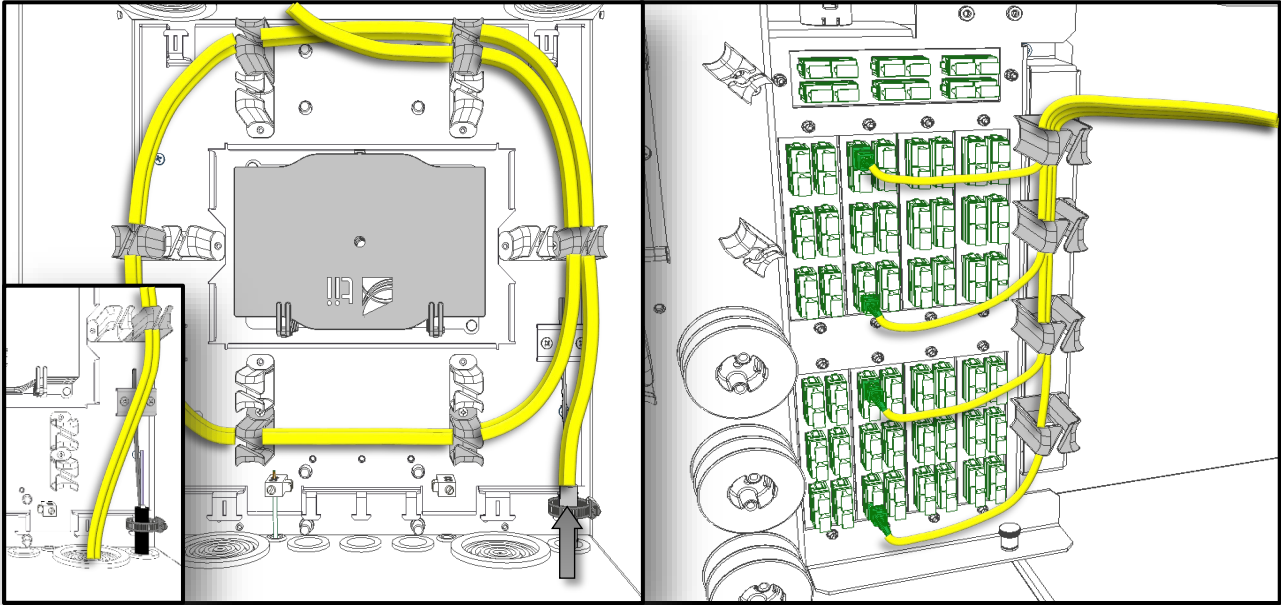
5. Insert feeder cable thru small cable port, tighten external nut, secure jacket with hose clamp and fix strength member as indicated.



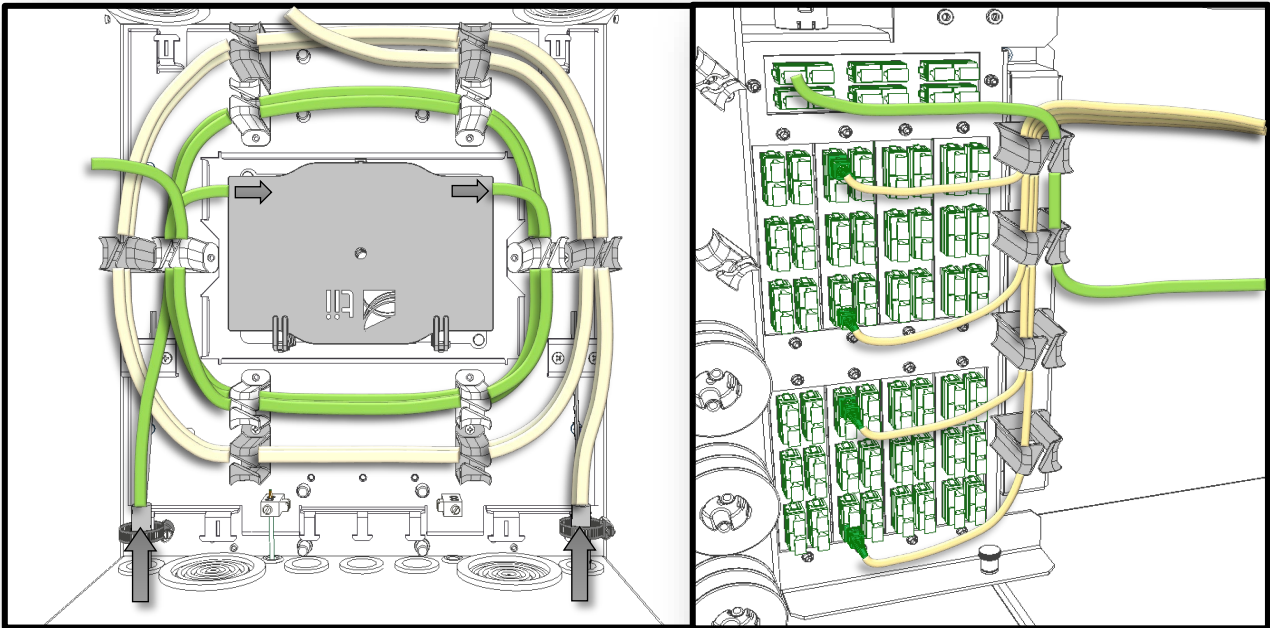
6. PSC Cassette option. Store distribution cable slack on provided management clips, and route to cassettes for splicing.



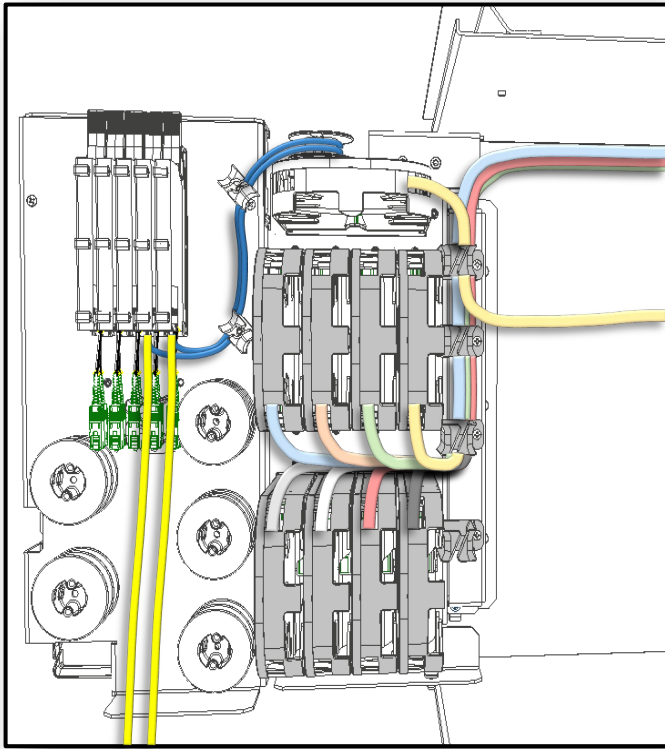
7. PSC Cassette option. Store feeder cable slack on provided cable management clips, and route to feeder cassette for splicing.



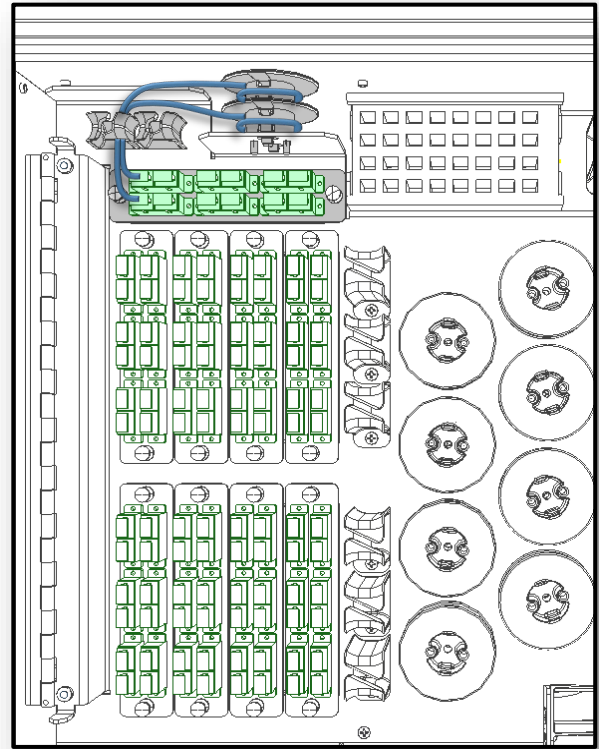
8. Bulkhead option. Store distribution cable slack on provided management clips, and route into splice tray.



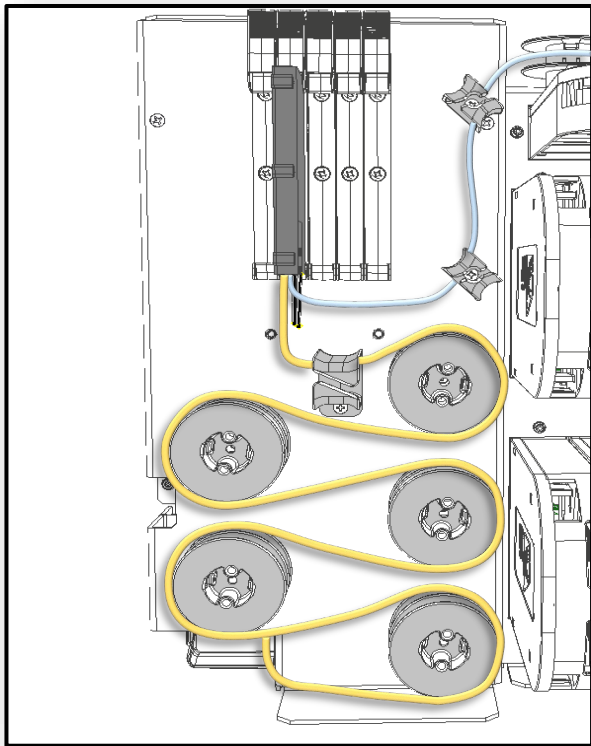
9. Bulkhead option. Store distribution cable slack on provided management clips, and route into splice tray.



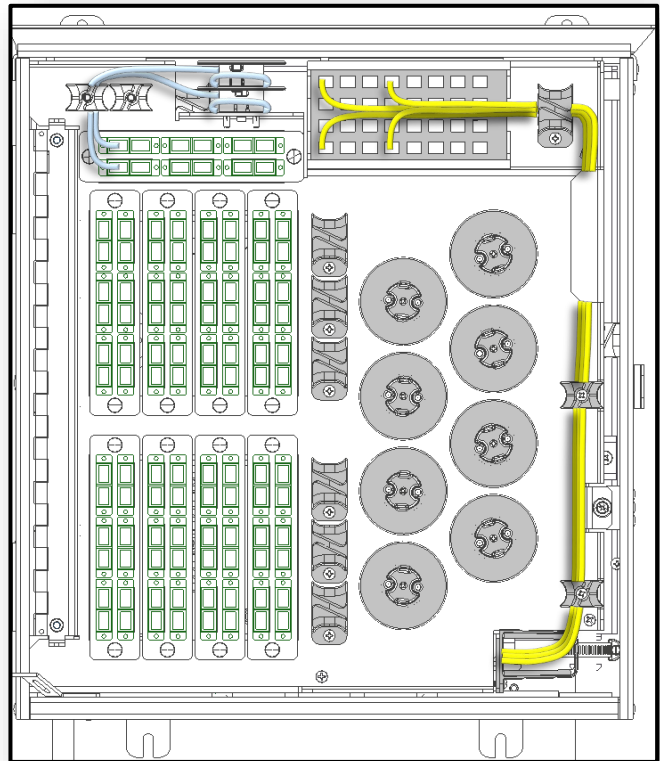
10. Install splitters on the back of the inner panel. Route splitter feeder leg as indicated and store slack on top spool.



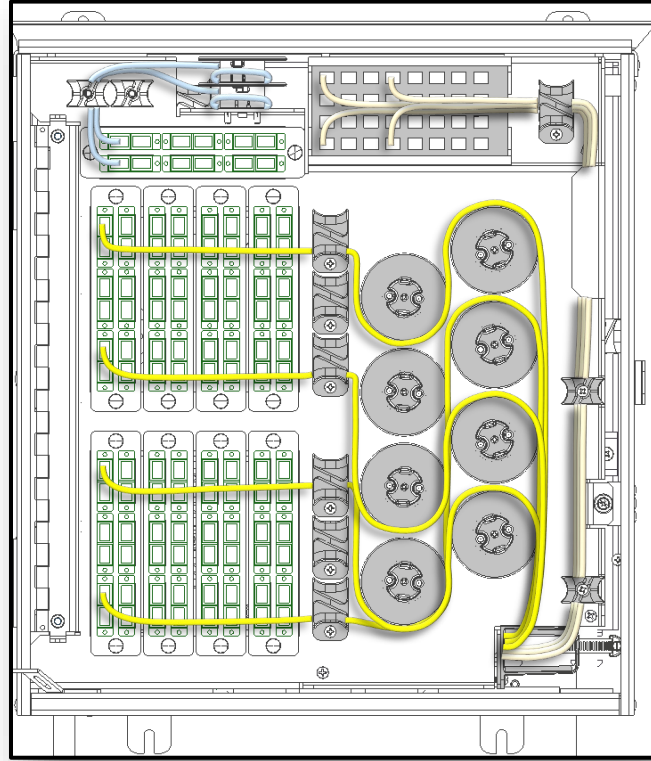
11. Route feeder leg into appropriate port on feeder cassette or bulkhead.



12. Route splitter distribution legs as indicated to store slack (for standard 51" splitter tails). Transition into front side of inner panel.



13. Route unused tails into storage foam block on the top as indicated.



14. Use provided fiber management spools and clips to route tails to desired distribution port.