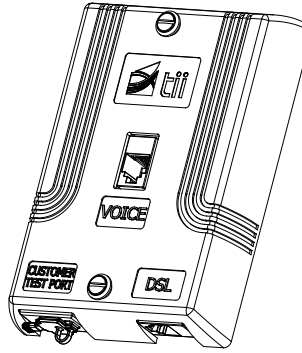


Warranty: If this unit fails during the warranty period, contact Tii customer service to authorize return. Unit may be returned prepaid.

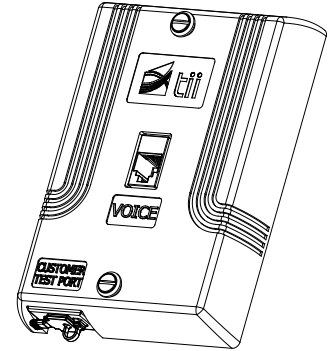


141 Rodeo Drive
Edgewood, NY 11717
Toll Free 888.844.4720
www.tiitech.com

Model 761SM-12
Model 761SM
Surface Mount Splitter



761SM-12



761SM

Installation Note

Description

1. The 761SM-12 houses jacks for voice, data and customer testing and an electronic component known as a POTS Splitter which allows both voice and data signals to travel over the telephone line. This device splits the combined signal to provide separate outputs for both phone and data.

The 761SM houses jacks for voice, and customer testing.

Installation 761SM-12, 761SM

1. Remove the unit from the bag and inspect it for damage. If damaged, obtain another unit.
2. Mount the unit to a wall or outlet box using the mounting holes provided in the base, see figure 2. The best wall phone support is accomplished by mounting the unit directly to a wall stud, or an outlet box attached to a stud. Adequate support can be provided by using wall anchors when mounting between studs.

Features

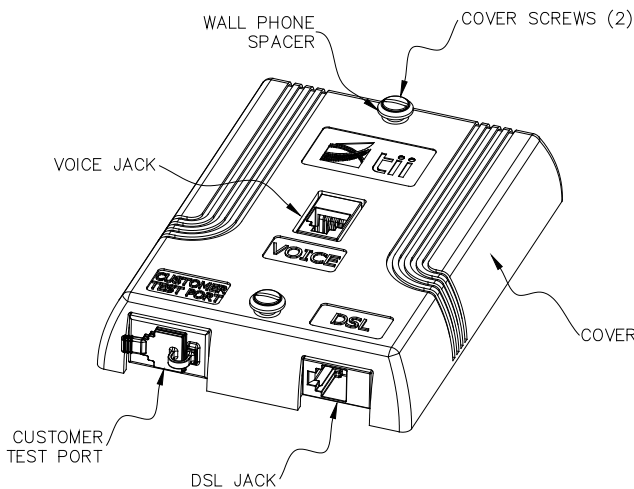


Figure 1

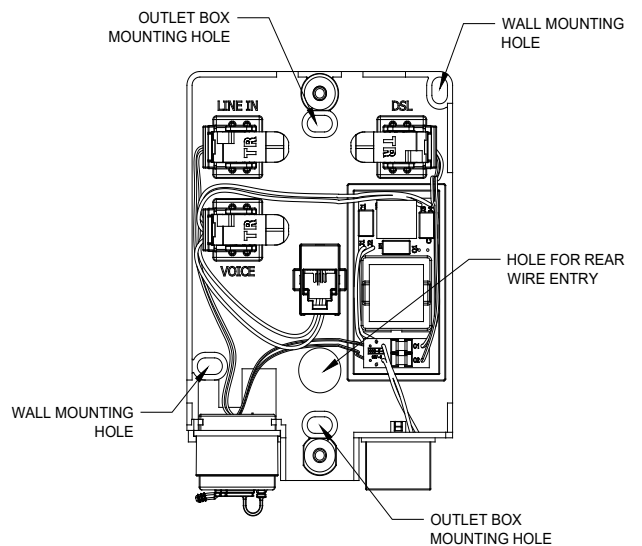


Figure 2

WIRING

- 1. Surface Wiring:** Wire entrance break-outs are located on all four sides of the cover. Select a break-out slot appropriate for wiring. Cut along both outside edges of the break-out using a pair of cutters. Remove the break-out using a pair of needle-nose pliers. Dress the wires through the slot and to the appropriate rocker.
- 2. Outlet Box Wiring:** Thread the wire from the outlet box through the large hole in the back of the unit and to the appropriate rockers. See figure 2 for rear wire entry hole location.
- 3. Product Wiring:** Reference figure 3.

Connecting Telco Wire to Line In –

Terminate the incoming telco DSL telephone line to the rocker labeled “LINE IN”.

Connecting Phone to Voice – Insert the RJ-11 plug from the telephone into the port labeled “VOICE”.

Connecting DSL Line – Wire DSL line to the rocker labeled “DSL”. The DSL line will connect to the DSL modem.

- 4. Wiring to rockers:** Lift the rocker to the up position. DO NOT strip wires. Hold the wire pair to be terminated between thumb and index finger. Insert the wires into wire guides simultaneously until they bottom out. While holding wires in position, terminate rocker by lowering to the full DOWN position. See figure 4.
- 5. Connecting to Jacks:** Using pre-connected plugs on the data or phone cords, simply plug the cord(s) into the appropriate jack(s) on the unit.
- 6. Securing the unit:** Place the cover onto the base and secure by tightening the two cover screws. If installing wall phone, use the wall phone spacers, figure 1.

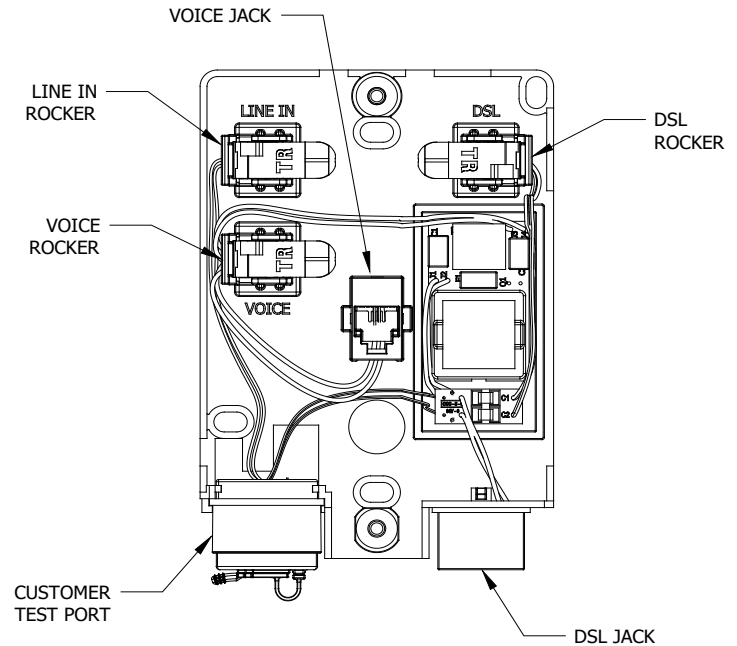


Figure 3

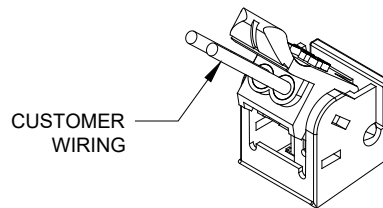


Figure 4