

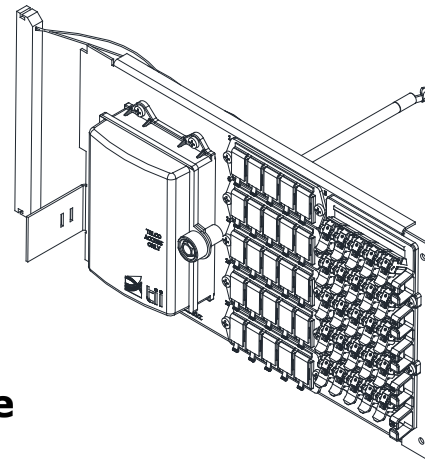
**Warranty:** If this unit fails during the warranty period, contact tii customer service to authorize return. Unit may be returned prepaid.



141 Rodeo Drive  
Edgewood, NY 11717  
Toll Free 888.844.4720  
www.tiitech.com

**Model MP025 SERIES**  
MODULAR BET-NID PLATES

## Installation Note



### Description

1. The TII Modular plates are designed for use in the 25-50 and 25-100 Series BET, BET/NID.
2. The modular come equipped with/without 710 or MS2 connectors. Modular plates simply mount into position and then secured by using fasteners supplied with the unit.
3. Each Modular Upgrades Tii BET, BET/NID is in pair counts of 25 pairs..

### Installation

1. Mount the MP025 plate in the 25-50 or 25-100 by locating the tab on the left side of the plate into the slot in the splice chamber divider wall, (place pigtail connector through the opening in the wall into the splice chamber).
2. Fasten the plate to the housing using the two screws provided with the plate.

### Features

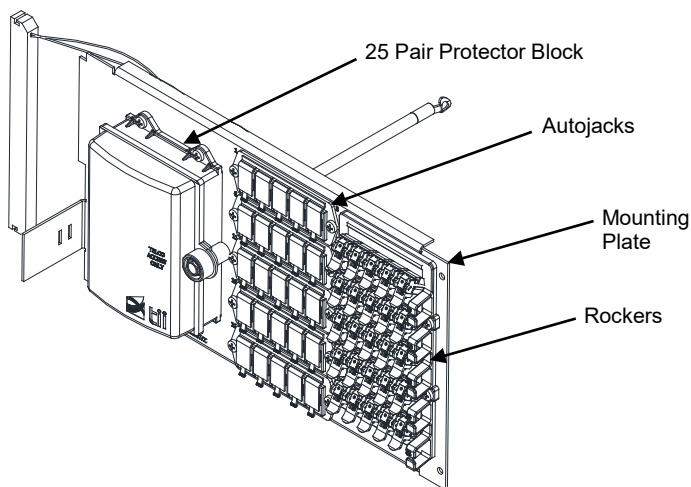


Figure 1

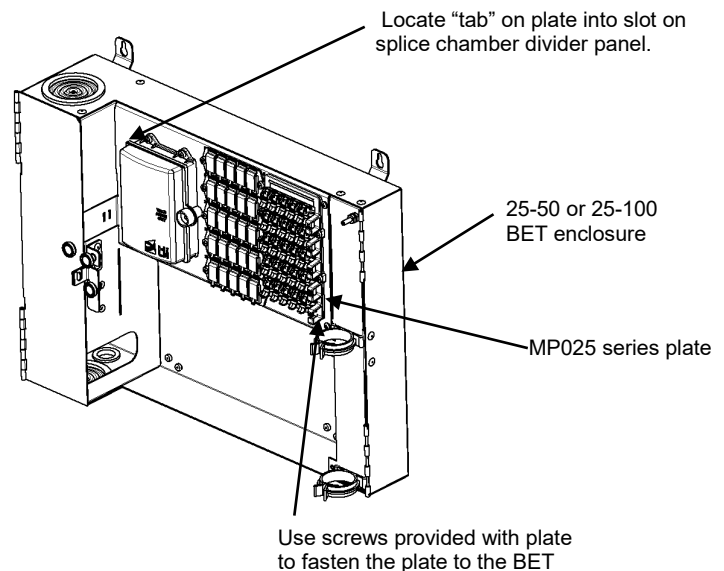


Figure 2