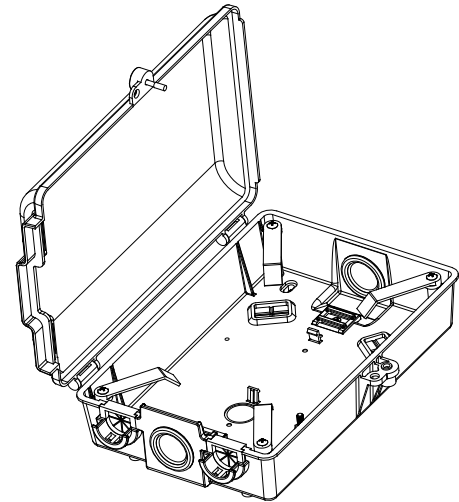


Warranty: If this unit fails during the warranty period, contact tii customer service to authorize return. Unit may be returned prepaid.



141 Rodeo Drive
Edgewood, NY 11717
Toll Free 888.844.4720
www.tiinetnetworktechnologies.com

Model 507F Series
Fiber Interface Device



Installation Note

Description

1. The TII 507F Series Fiber Optic Interface Device is a compact fiber optic connectivity and fiber slack storage enclosure.
2. The large split grommets located at the bottom of the base allow Telco drop lines and fiber cables to enter and exit the device.
3. The TII 507F Series allows for sufficient drop/fiber cable slack storage.

Features

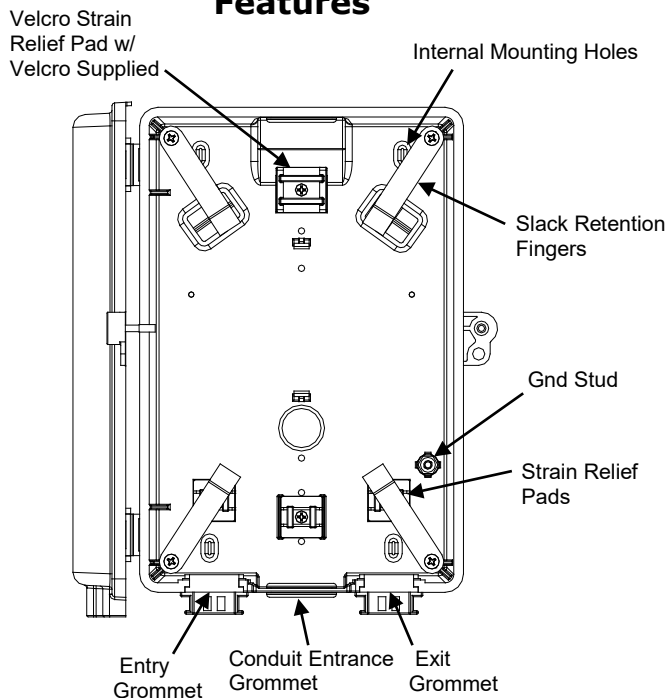


Figure 1

Installation

1. Mount the 507F Device so as to minimize the possibility of dirt or moisture getting into the enclosure.
2. 507F Devices mounted side-by-side or end-to-end should be placed so covers can easily be opened.
3. Mount the 507F Device vertically on a flat surface using appropriate hardware (the length of the mounting screws should allow for 1/8" of length within the enclosure).
4. The internal mounting holes are covered with a thin film of plastic, which are easily punched out, to maintain the environmental integrity of the enclosure (See Figure 1).
5. You are now ready to place the drop/fiber cable slack into the enclosure and prepare for wiring.

Wiring

1. Punch a hole through the left grommet and guide the cable through the entry grommet.
2. If required, splice any drop cables and customer fiber cables with the required connectors.
3. Wrap the excess drop cable/fiber cable slack in the clockwise direction and place it into the base enclosure and under the slack retention fingers.
4. Use a tie-wrap/Velcro to hold any spliced connections and cables to the strain relief pads.

5. Punch a hole through the right grommet and guide the cable through the exit grommet.
6. Close and secure the cover. Tighten the security hex screw until it is snug. Be sure not to over tighten the screw.

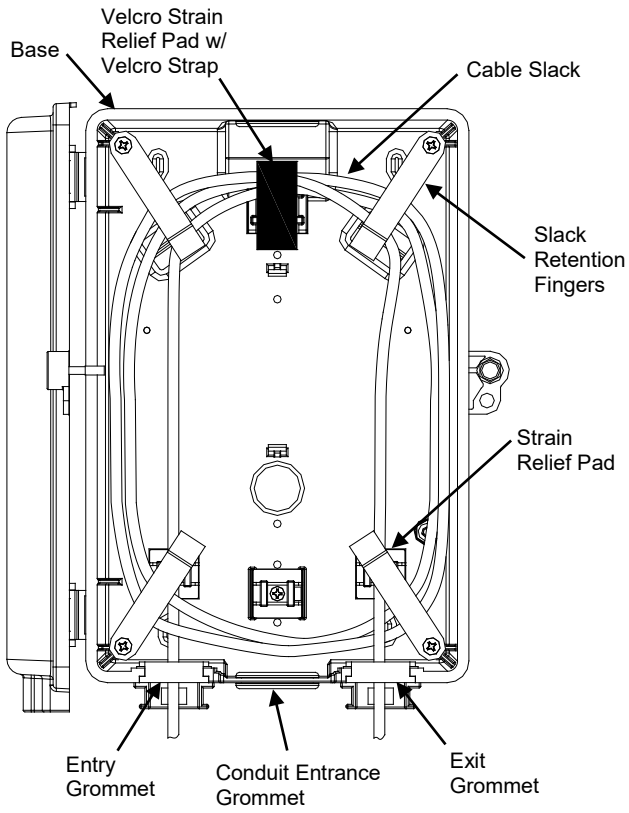


Figure 2