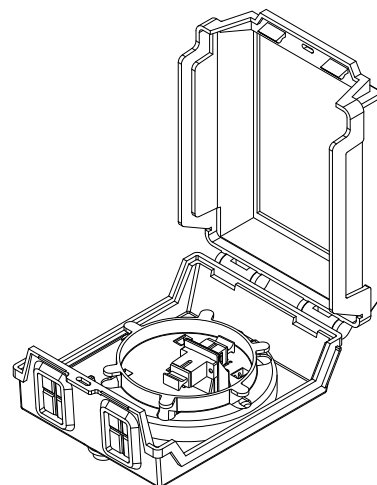


Warranty: If this unit fails during the warranty period, contact tii customer service to authorize return. Unit may be returned prepaid.



141 Rodeo Drive
Edgewood, NY 11717
Toll Free 888.844.4720
www.tiinettech.com

Model 169F SERIES
Fiber Interface Device



Installation Note

Description

1. The TII 169F Fiber Optic Interface Device is a compact fiber optic connectivity and fiber slack storage enclosure.
2. The large split grommets located at the bottom of the base allow Telco drop lines and customer cables to enter and exit the device.
3. The TII 169F is supplied with SC adapters to allow one to four fiber optic connections.
4. The slack tray allows for sufficient fiber cable slack storage.

Features

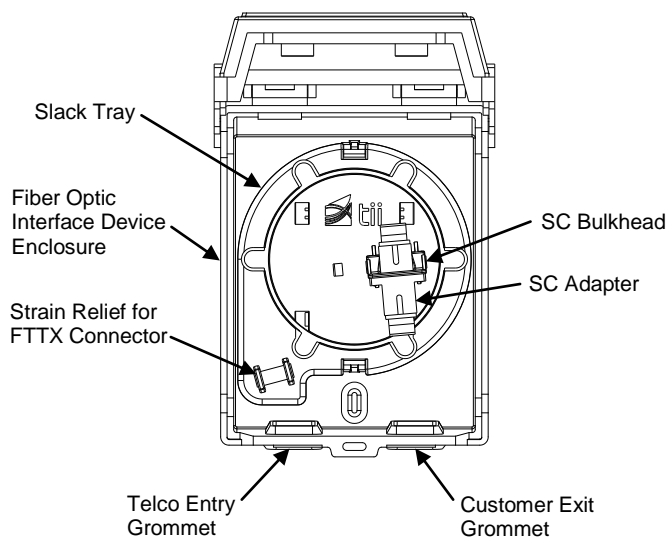


Figure 1

Installation

1. Mount the 169F Device so as to minimize the possibility of dirt or moisture getting into the enclosure.
2. 169F Devices mounted side-by-side or end-to-end should be placed so covers can easily be opened.
3. Remove the slack tray from the enclosure to expose the mounting screw locations.
4. Mount the 169F Device vertically on a flat surface using appropriate hardware (the length of the mounting screws should allow for 1/8" of length within the enclosure).
5. The mounting holes are covered with a thin film of plastic, easily punched out, to maintain the environmental integrity of the enclosure (See Figure 2).
6. Re-install the slack tray into the enclosure and prepare for wiring.

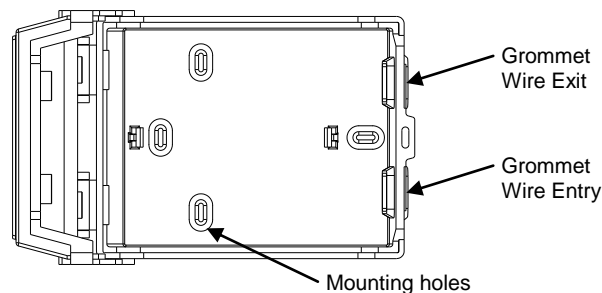


Figure 2

Wiring

1. Guide the Telco Drop Cable through the left split entry grommet.
2. Using the FTTX Connector, splice the Telco Drop Cable and the Customer Fiber Cable together as required.
3. Install the already spliced FTTX Connector to the slack tray strain relief using a tie-wrap. Push the tie-wrap through the provided slots on the slack tray, wrap over the FTTX Connector and tighten the tie-wrap.
4. Wrap excess Customer Fiber Cable clockwise around the slack tray.
5. Then insert the SC connector into the provided SC Adapter.
6. Insert the SC Connector, Customer Out Fiber Cable to the opposing side of the SC Adapter.
7. Guide the Customer Fiber Cable through the right Customer Exit Grommet.
8. Close the cover until it snaps shut.

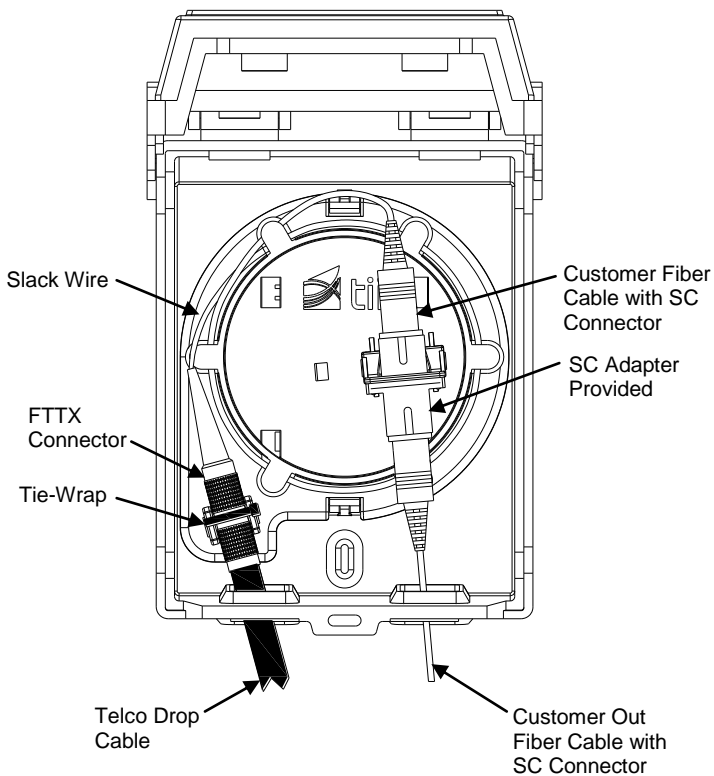


Figure 3