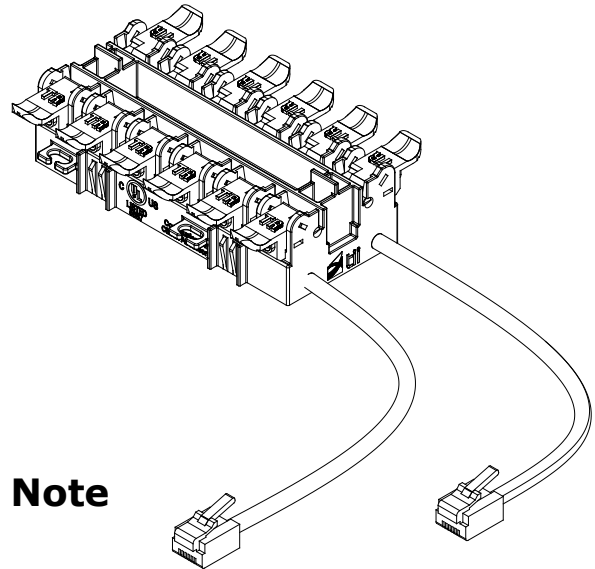




141 Rodeo Drive  
 Edgewood, NY 11717  
 Toll Free 888.444.4720  
 www.tiinettech.com

**Model 68M-2-2T**  
 12 Pair Two Line Sealed Wire Termination Block  
 with two RJ11 Terminated Cable Stubs

## Installation Note



## Description

1. The 68M-2-2T Sealed Wire Termination Block is used where many parallel connections to a single tip-ring pair are needed. The parallel connections are provided in the following configurations:

Model No.	Description
68M-2-2T	RJ11 input, 2;6 parallel pair outputs

## Features

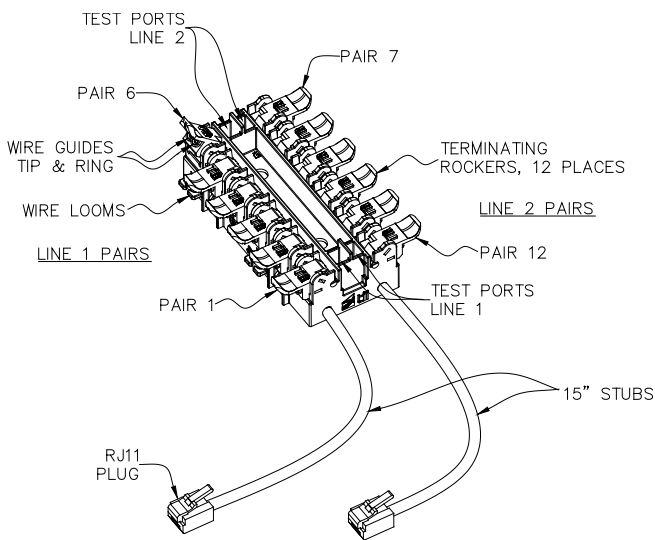


Figure 1

## Installation

1. Installation is accomplished using standard technician tools. The Insulation Displacement Contacts (IDC), are achieved using gel sealed rockers.
2. The 68M-2-2T Sealed Wire Termination Block has also been provided with two 8-32 screws for mounting to a suitable flat, dry area.
3. Lift the rocker to the full up position. DO NOT strip wires. Hold the wire pair to be terminated between thumb and index finger. Insert wires into wire guides simultaneously until they bottom-out. While holding wires in position, terminate rocker by lowering to the full DOWN position. Figure 2.
4. Terminate any additional output pairs as required following the above steps.
5. Test for continuity using the test points. Figure 2.
6. To keep wire pairs organized, route them through the molded wire looms as shown in Figure 2.

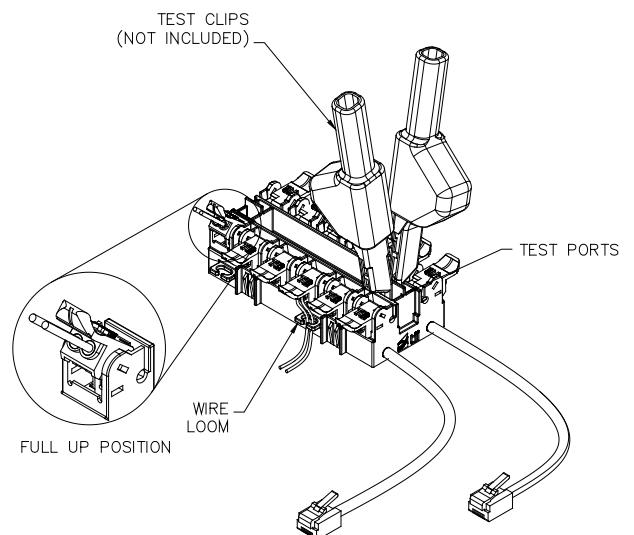


Figure 2