

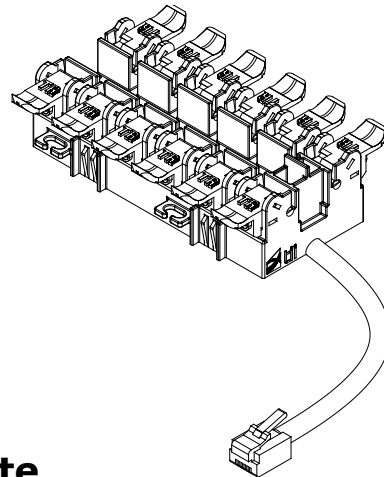
**Warranty:** If this unit fails during the warranty period, contact tii customer service to authorize return. Unit may be returned prepaid.



141 Rodeo Drive  
Edgewood, NY 11717  
Toll Free 888.844.4720  
www.tiinetnetworktechnologies.com

**Model 68M SERIES**  
12 Pair Sealed Wire EMTA Termination Block  
with RJ11 Terminated Cable Stub

## Installation Note



### Description

1. The tii 68M Series Sealed Wire Termination Block is used where many parallel connections to a single tip-ring pair are needed.

### Features

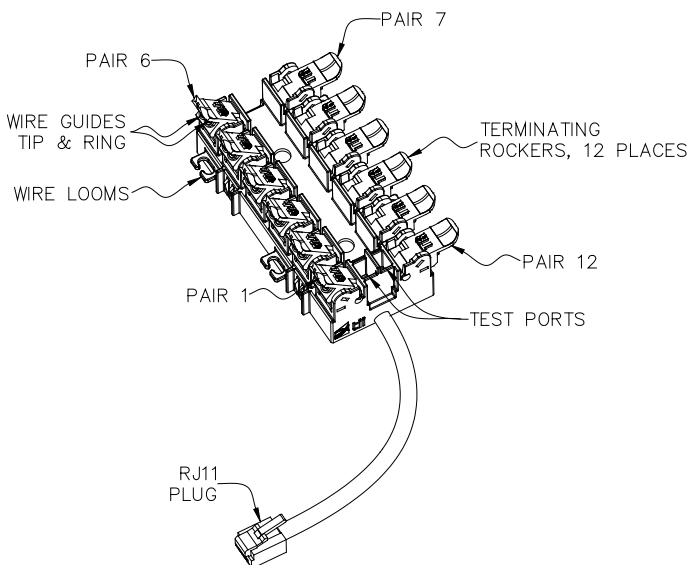


Figure 1

### Installation

1. Installation is accomplished using standard technician tools. The Insulation Displacement Contacts (IDC), are achieved using gel sealed rockers.
2. The tii 68M Series Sealed Wire Termination Block has also been provided with two 8-32 screws for mounting to a suitable flat, dry area.
3. Lift the rocker to the full up position. DO NOT strip wires. Hold the wire pair to be terminated between thumb and index finger. Insert wires into wire guides simultaneously until they bottom-out. While holding wires in position, terminate rocker by lowering to the full DOWN position. Figure 2.
4. Terminate any additional output pairs as required following the above steps.
5. Test for continuity using the test points. Figure 2.
6. To keep wire pairs organized, route them through the molded wire looms as shown in Figure 2.

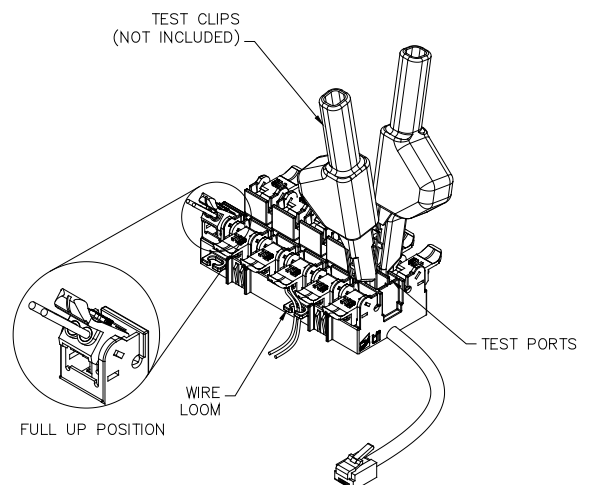


Figure 2