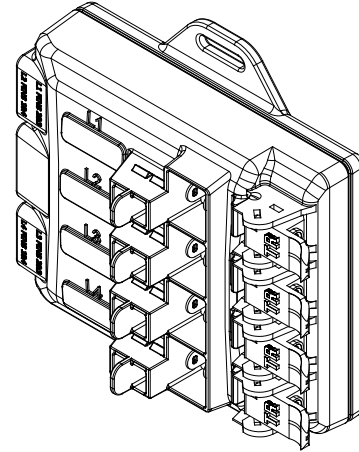




141 Rodeo Drive
Edgewood, NY 11717
Toll Free 888.844.4720
www.titech.com

Model DVC-4-X
4 LINE WIRE TERMINATION BLOCK

Installation Note



Description

1. The DVC-4-X is an indoor digital voice connector with two RJ-14 jacks and four IDC rockers. It comes equipped with 2 pairs of test points for each line.
2. The DVC-4-X utilizes gel sealed insulation displacement terminations that provide reliable connectivity.
3. The DVC-4-X is for indoor use only.
4. IDC rockers are used to terminate 26-22 AWG solid wire.

Installation

1. The DVC-4-X should be mounted with supplied hardware in a dry location.
2. Locate the existing phone jack outlet box where telephone wires enter the premises. Disconnect the incoming telephone service to the existing RJ-11.
3. Wire unit as shown in Figure 1. Refer to schematic on sheet 2.
4. Pull up the IDC rocker's to the fully open position, insert wires as shown in Figure 1 until they bottom out, do not strip wires.
5. Push down the IDC rocker to the closed position for termination.

Product Designations

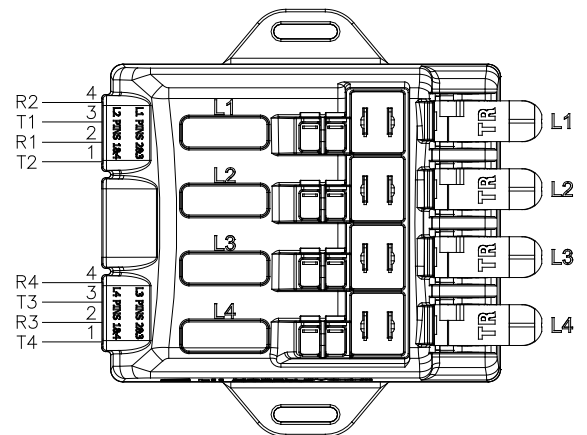
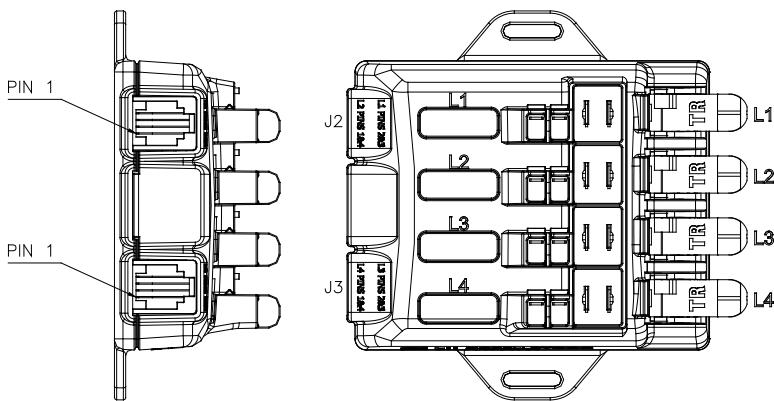


Figure 1

Schematic

