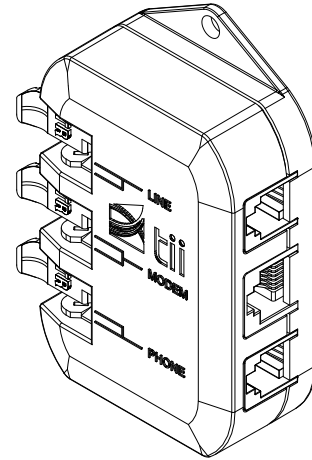


Warranty: If this unit fails during the warranty period, contact tii customer service to authorize return. Unit may be returned prepaid.



141 Rodeo Drive
Edgewood, NY 11717
Toll Free 888.444.4720
www.tiinettech.com

Model 80-410V-45
Indoor DSL POTS Splitter Module for
VDSL/ADSL2+, IPTV Services



Installation Note

Description

1. The tii 80-410V-45 Series Indoor DSL POTS Splitter Module maintains a constant direct connection between customer and central office service provider.
2. The tii 80-410V-45 supports RJ-11 pre-connected line cords for the telco and phone lines. The modem line supports a RJ-45 pre-connected line cord.
3. The tii 80-410V-45 has various input options, including IDC (Insulation Displacement Connections), phone jacks or a combination wiring of IDC in conjunction with either RJ-11 / RJ-45.

Features

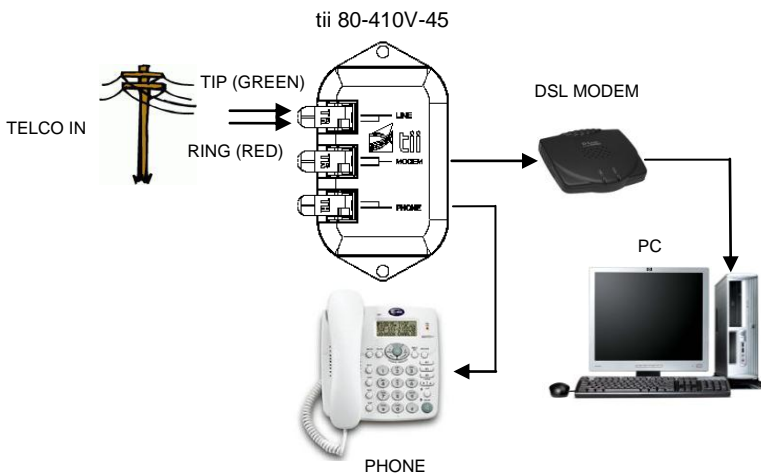


Figure 1

Installation

1. The tii 80-410V-45 is intended for indoor use only.
2. The module can be mounted in any interior location with either supplied double-faced tape or using #6 screws (not supplied).

Wiring

1. Two telephone voice (POTS) pairs and one DSL line (DATA) can be connected to a single Splitter Module.
2. Lift the Line IDC rocker for wiring telco input wires.
3. Insert wires into wire guides at the same time until they bottom out.
4. Insert and terminate TIP (G) & RING (R) wires into sealed IDC connection.

NOTE: IDC's accept 22-26 AWG solid wire. Wires should be aligned to the corresponding holes. Green wire to the "T" (GRN) labeled wire guide and the Red wire to the "R" (RED) labeled wire guide.

5. Terminate the DSL customer modem with pre-wired RJ-45 line cord (See Figure 1).
6. Terminated the POTS (Phone) line with pre-wired RJ-11 line cord (See Figure 1).

NOTE: All connections can be made either with IDC termination or RJ-11 / RJ-45 interface.