

## INSTALLATION NOTE

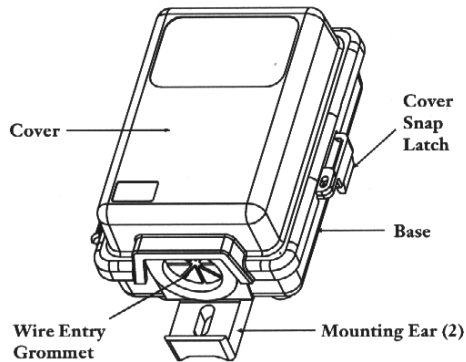


Figure 1

### 1. General

**1.1.** This instruction describes the TII 3310D-12 VDSL2 POTS Splitter Indoor/Outdoor Ancillary Device. This indoor/outdoor unit houses multiple screw terminals, incoming cable strain-relief and electronics. The electronics is known as a “POTS Splitter”. The POTS Splitter allows both voice and data signals to travel over the telephone line. This device splits the combined signal to provide separate outputs for both phone and data in the form of screw terminals for wiring phone and data lines.

**2. Tools and Equipment.** The normal complement of tools are recommended for this installation. Wall anchors or wood screws may also be required.

### 3. Mounting Locations

**3.1.** This unit should be mounted beside an existing (Indoor/Outdoor Network Interface) device. Mount the unit on a vertical surface near approved ground but away from down spouts, permanent water sprinklers, or other water sources. The technician should have easy access to the unit for wiring and testing.

**3.2. Surface Mounting:** The unit may be surface mounted on a flat surface using external mounting ears. Mounting the unit on a flat surface will prevent warping. Use flat washers as shims to square the unit on uneven surfaces. Mount the unit using two (2) mounting screws.

**3.3. Conduit Mounting:** The unit can be mounted on vertical conduit with metal straps wrapped around the mounting ears. Mount the unit in a vertically level position to prevent water from entering.

### 4. Wiring

Open the cover by releasing the cover snap latch located on the right side of the unit (Figure 1).

A wire entry grommet is located at the bottom of the unit for wiring. Remove the entry grommet from the base. The grommet is designed to provide a watertight seal around incoming wires. Punch a small hole in the grommet using a pencil point or a pair of needle-nose pliers. Thread incoming wire through the hole in the grommet and replace the grommet back into the base.

A cable tie holder is located just above the entry grommet to provide strain-relief for incoming wire (See Figure 2).

#### 4.1. Product Wiring:

- Wire incoming service wire to the screw terminals labeled “NETWORK” matching tip and ring.
- Wire Voice Line to screw terminals labeled “VOICE” matching tip and ring.
- Wire Data Line to screw terminals labeled “DATA” matching tip and ring.

**4.2. Wiring to Screw Terminals:** Strip conductor wires back approximately ½ inch. Wrap bare wire around the screw terminal between two washers. Do not overlap wire on the terminal screws. Cut off any excess wire after tightening the screw terminal.

### 5. Securing the Unit

Make sure the entrance grommet is fully seated down into the base. Close the cover by engaging the snap feature to the base.

