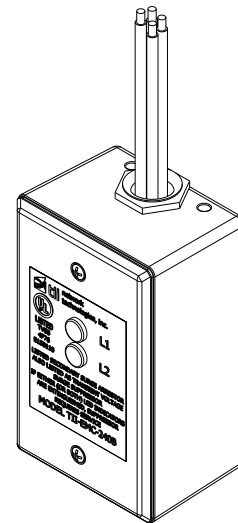


**Warranty:** If this unit fails during the warranty period, contact tii customer service to authorize return. Unit may be returned prepaid.



141 Rodeo Drive  
Edgewood, NY 11717  
Toll Free 888.444.4720  
www.tiinettech.com

**Model EMC-240B**  
Surge Suppressor



## Installation Note

### Description

1. The TII EMC Series features totally solid state technology for reliability and quick response to surges.
2. The EMC circuit utilizes two advanced metal oxide varistors (MOV) as the primary protective elements. These MOV's are each capable of 40,000 amps of surge current.
3. The TII EMC Series is a component recognized by Underwriters Laboratory (UL).

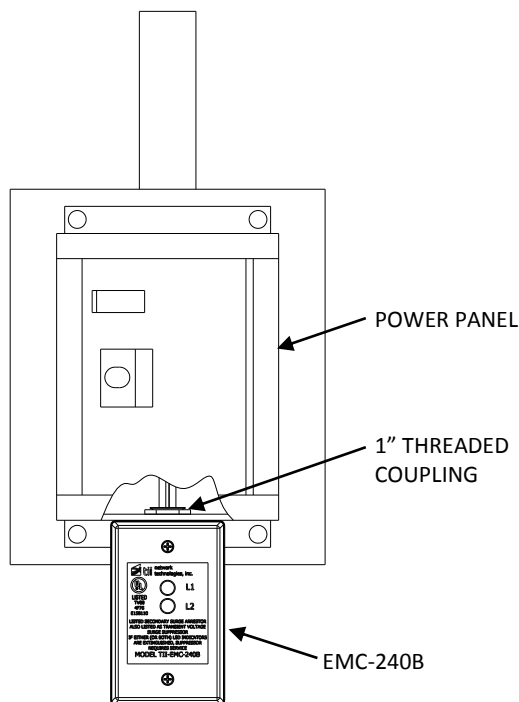


Figure 1

### Installation

1. The unit can be mounted on the AC service by conduit, junction box, or power panel utilizing a standard 1" inch hole. Figure 1 shows the unit mounted on a power panel.
2. Identify location for mounting the TII EMC-240B. Mount the unit using the removable 1" threaded coupling supplied (See Figure 1).

### Wiring

1. **Disconnect** the AC power to the AC service cable to be used for wiring the unit to the desired circuit.
2. Connect the incoming AC service wire cable to the appropriate wires per your application. Reference **See Figure 2 for 120VAC** service and **See Figure 3 for 240VAC** service.



**CAUTION: DURING INSTALLATION ENSURE NO DAMAGE OCCURS TO LIVE, NEUTRAL OR GROUND WIRES.**

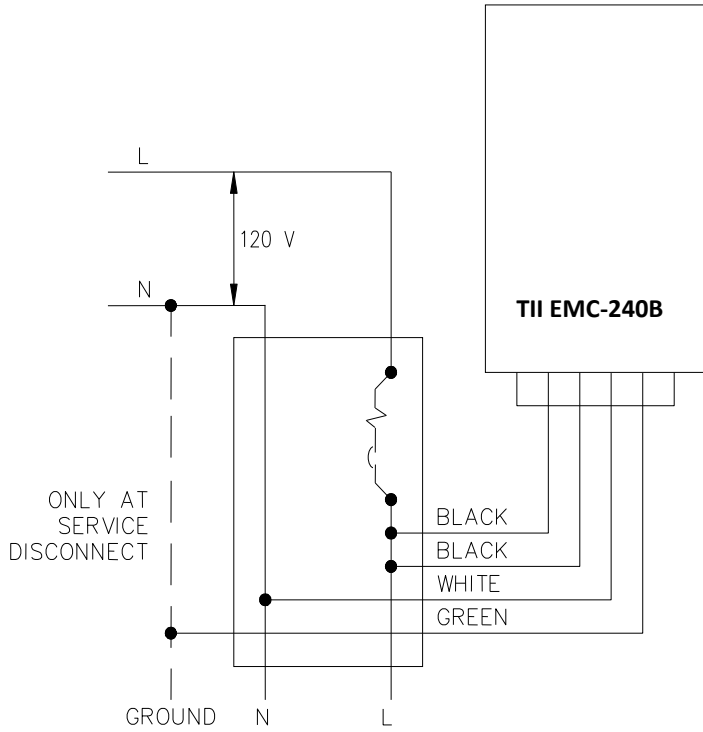
3. Power the unit and verify proper functioning of the connected equipment. The L1 and L2 green LED's should be illuminated on the unit.

**120 VOLT SERVICE**

**Typical Installation**



**OBSERVE LOCAL/NEC WIRING CODES.**



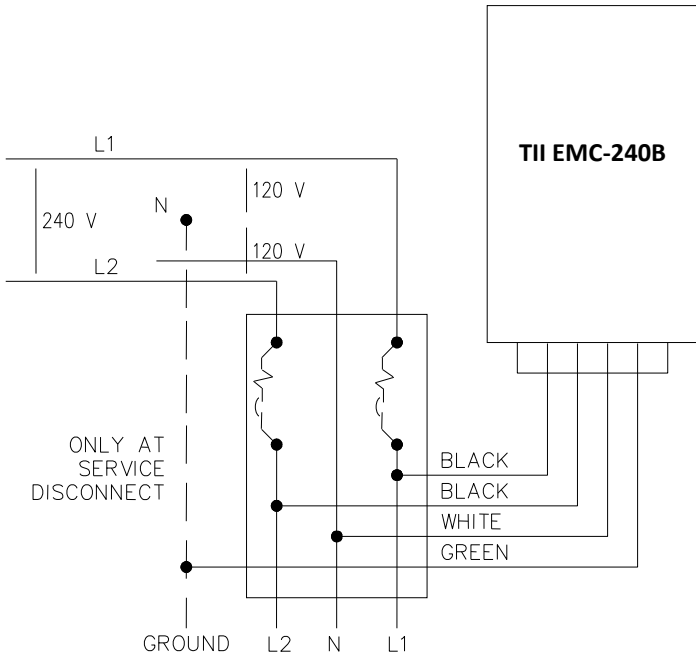
**Figure 2**

**240 VOLT SERVICE**

**Typical Installation**



**OBSERVE LOCAL/NEC WIRING CODES.**



**Figure 3**