

INSTALLATION NOTE

CAUTION: The Product shall be installed in a manner to comply with applicable national and local safety codes.
ATTENTION: Le produit doit être installé de manière à se conformer aux réglementations nationales et locales applicables en matière de sécurité.



1. GENERAL

1.1 The B1, 322, and 382 Series Module Adapters may be installed in a wide variety of station protector and network interface housings for outdoor applications. They may also be used indoors without the use of enclosure

1.2 The module adapters come complete with mounting screws, ground stud, nut and washers

National Electric Code Requirement. The adapter shall be installed per National Electric Code ANSI/NFPA 70, Article 800, Section C, and shall meet all applicable local safety codes.

2. WARRANTY

2.1 See Tii Warranty. If this unit fails during the warranty period, the factory should be requested to authorize return. Return the unit prepaid when authorization is received. Units that fail due to abuse or normal wear should be discarded.

3. INSTALLATION

3.1 Station Protector or NID Installation

- 3.1.1 Loosen the nut on the ground stud of the module adapter.
- 3.1.2 Slide the surge protector ground clip under the nut and washer. Tighten down the nut (Figure 1).
- 3.1.3 Ground the module using a No. 6 AWG solid copper insulated ground wire. Connect one end of the ground conductor to the appropriate ground stud and the other end to an appropriate ground source (Figure 1).

Typical Installation
Station Protector Housing
(Cover Removed)

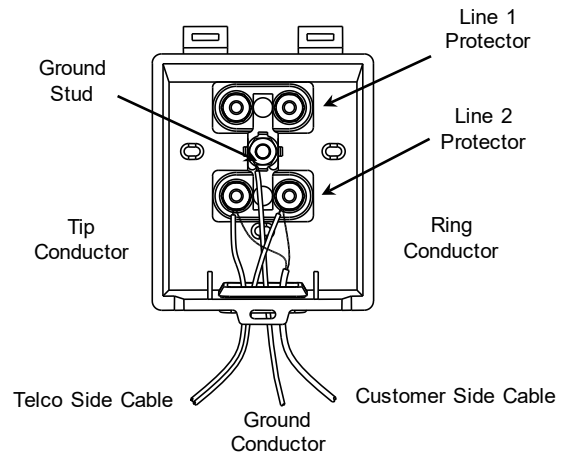


Figure 1

3.2 Indoor Installation

- 3.2.1 Tii module adapters can accommodate up to two station protectors without a protector enclosure or NID.
- 3.2.2 Mount the module with (2) #8 screws to a suitable mounting surface (See Figure 2).

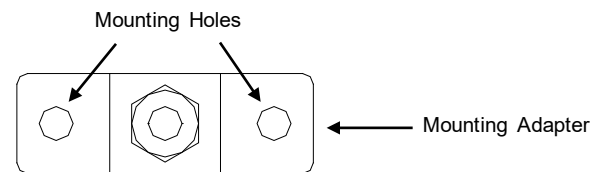


Figure 2

3.2.3 Figures 3 and 4 show the configuration for a single or double station protector installation.

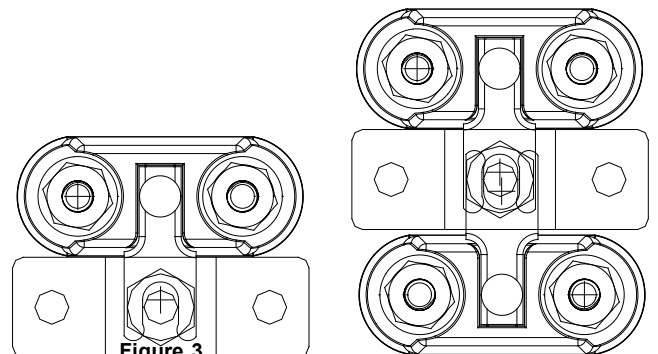


Figure 3

Figure 4