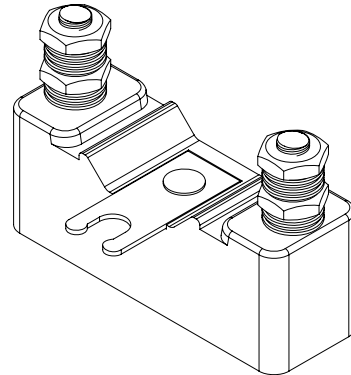


Warranty: If this unit fails during the warranty period, contact tii customer service to authorize return. Unit may be returned prepaid.



141 Rodeo Drive
Edgewood, NY 11717
Toll Free 888.444.4720
www.tiinettech.com

Model 355 & 356 Series
Station Protector Modules



Installation Note

Description

1. The TII 355 and TII 356 Series Station Protector modules may be installed in a wide variety of station protector and network interface housings.
2. The TII 355 and TII 356 Series are self clearing and generally should require no maintenance.
3. It is possible, however, that successive operations or the cumulative effect of heat may cause failure of the gas tube. In case of trouble, the entire protector module should be replaced with a new unit.
4. **National Electric Code Requirement.** The protector shall be installed per National Electric Code ANSI/NFPA 70, Article 800, Section C, and shall meet all applicable local safety codes.
5. **These modules shall be installed in NID enclosures evaluated to the requirement of UL497.**

Installation

1. Loosen the nut on the appropriate ground stud and slide the ground clip of the surge protector module under the nut and washer and tighten down the nut.
2. Ground the module using a No. 6 AWG solid copper insulated ground wire. Connect one end of the ground conductor to the appropriate ground stud and the other end to an appropriate ground source (Figure 2).
3. Terminate the Telco Side cable (i.e., aerial or buried drop) in between the bottom set of washers and bottom nut of the appropriate stud (one conductor to Tip and one to Ring). Tighten down the nut (Figure 1).
4. Terminate the Customer Side cable under the top set of washers and the top nut of the appropriate stud (one conductor to Tip and one to Ring). Tighten down the nut (Figure 1).

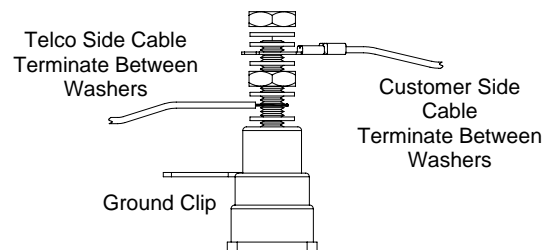


Figure 1

5. Loop back unused station wire conductors and coil around the station wire jacket or store in such a manner as to prevent them from coming in contact with protector terminals or bare wires.
6. When more than one cable is placed under a nut, use washers between the wires.
7. Use caution when terminating small gauge Customer Side cable on the protector module terminals, as the wires may catch in the threads of the terminal and be cut or broken when nuts are tightened.
8. Check all nuts to make sure they are tight.

Precaution

1. When clearing trouble on a line that contains gas tube protector modules, and when the test board has indicated that there may still be a power contact, inspect the non-cable portion of the line from the ground for any power contacts or evidence of damage from power contacts.
2. Special care should be taken in making the inspections where the line runs through trees or where visibility is limited.
3. If a power contact is found, notify the proper authority so it may be corrected.
4. Do not work on the line until the power contact has been cleared.
5. If no contact is found but the test board still have indications of a power contact, wear insulating gloves while working with the test board to clear the line.

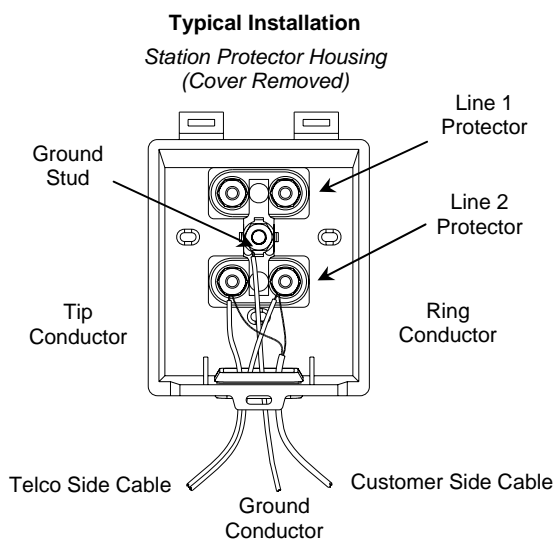


Figure 2