

ONT-ENC-LA

Optical Network Terminal Enclosure

CPE/Premise Wiring

FTTP

MDU



Tii Technologies Inc.

Corporate Headquarters:

141 Rodeo Drive
Edgewood, NY 11717
Phone: 631.789.5000
Fax: 631.789.5063
Toll Free: 888.844.4720
sales@tiitech.com

www.tiitech.com



ONT-ENC-LA shown with typical FTTP components (not included)

The ONT-ENC-LA is an indoor enclosure designed to hold the components of a typical Fiber to the Home installation including Indoor Optical Network Terminal, Power Adapter, and Tii's 68M-2-2T Connectivity Block. It is designed to mount to a wall, or directly on top of an optional slack storage enclosure, Tii model ONT-SSENC-LA, which can accommodate greater than 50 ft. of flat drop fiber with adjustable fiber retention fingers. The design constrains "springy" drop cable in a way that maintains a bend radius greater than 6 inches.

The ONT-ENC-LA provides a flexible component mounting scheme to support a variety of ONTs and Power Adapters, and is designed to ensure a proper thermal environment for active components using vents and spacing for ample airflow. An adjustable mechanism is provided to allow mounting of any future ONT up to 9 x 9 x 2.5 inches. The enclosure provides integrated cable management and strain relief features for interior and exterior cables.

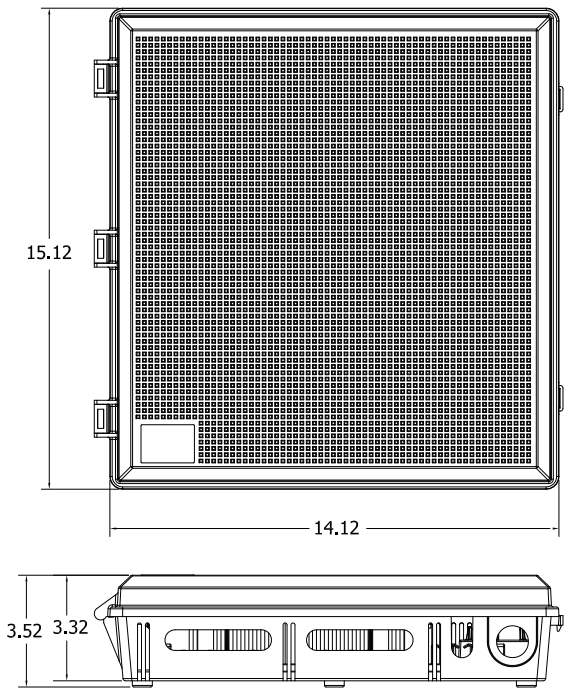
KEY PRODUCT BENEFITS

- ▶ Aesthetically pleasing for Indoor use
- ▶ Matches the look and feel of Tii's ONT-SSENC-LA
- ▶ Mounts directly to wall, or on top of fiber slack storage unit ONT-SSENC-LA
- ▶ Mounting provision for hardened fiber connector to SC Adapter (not included)
- ▶ Integrated Fiber slack storage for bend insensitive fiber jumper to ONT
- ▶ Integrated cable management and strain relief features for cable entry/exit ports
- ▶ Adjustable ONT mounting scheme accommodates any ONT up to 9 x 9 x 2.5 inches without the use of tools
- ▶ Supports mounting of multiple Power Adapters
- ▶ Integrated routing channel and strain relief for PA power/alarm cable
- ▶ Design optimized with vents for thermal management

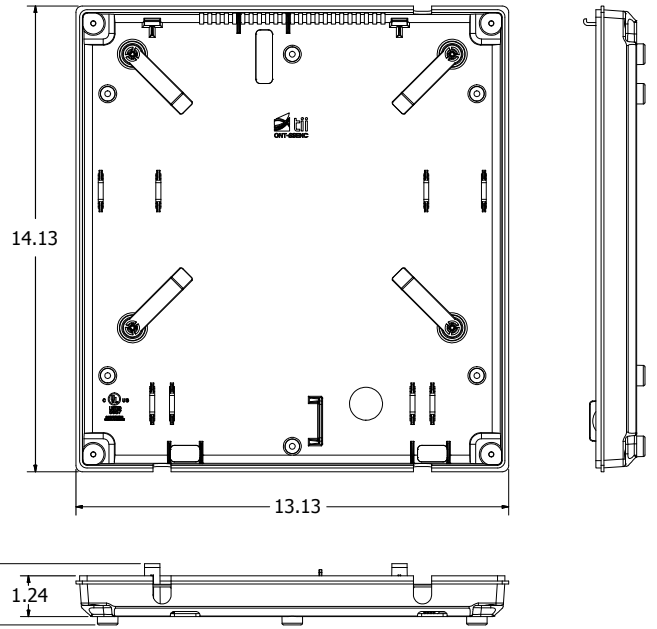
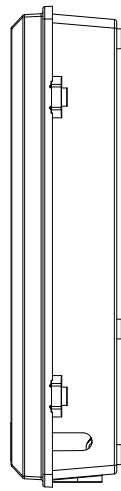
INDUSTRY STANDARDS

- ▶ UL Listed to 2416

ONT-ENC-LA



ONT-ENC-LA



ONT-SSENC-LA

Dimensions are in Inches

ORDERING INFORMATION

Model No.	Description	Standard Pkg.
ONT-ENC-LA	ONT Enclosure - Light Almond	5 ea. 16" x 16" x 9" - 17 lbs.
ONT-SSENC-LA	Optical Network Terminal Slack Storage Tray for ONT-ENC - Light Almond	5 ea. 14" x 15" x 9" - 7 lbs.