

## CCP5 Series

### Fiber Optic Customer Connection Point

FTTP

MDU

PON



The CCP5 serves as a single fiber connection/demarcation point and is typically used at the MDU point-of-entry or as the FTTH ONT access point. The unit is directly wall mountable, or may be mounted onto a single gang wiring box using an included wallplate. These enclosures provide a secure location for slack storage and fiber connections.

#### KEY PRODUCT BENEFITS

- ▶ Compact footprint
- ▶ SC-APC interface with optional internal laser safety shutter
- ▶ Multiple cable entry points
- ▶ Greenfield and Brownfield
- ▶ Flexible mounting options:
  - Wall
  - Baseboard
  - Wall plate mount

#### INDUSTRY STANDARDS

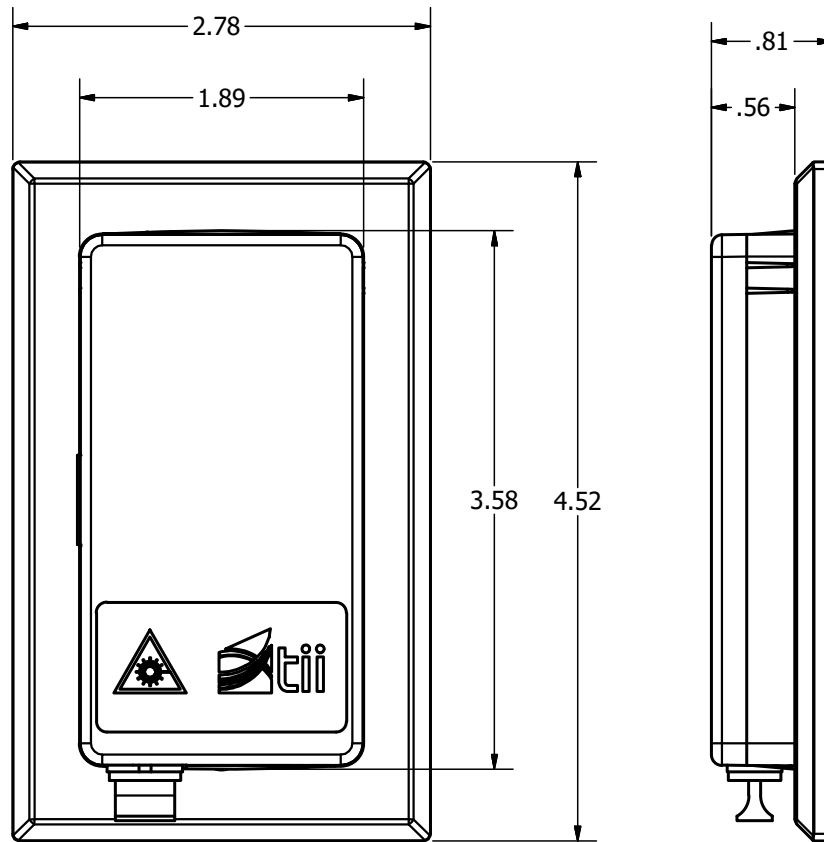
- ▶ cUL Listed to 1863



**Tii Technologies Inc.**

**Corporate Headquarters:**

141 Rodeo Drive  
Edgewood, NY 11717  
Phone: 631.789.5000  
Fax: 631.789.5063  
Toll Free: 888.844.4720  
sales@tiitech.com



Dimensions are in Inches

## SPECIFICATIONS

Interface	SC
Splice Capacity	None
Material	Flame retardant molded plastic, white

## MODEL NUMBER MATRIX

CCP5	X	X	XX	N	X
	Fiber Type	Fiber Ports	Adapter		Loading
	R = Single Mode	1 = 1 Port	SS = Adapter with Internal Shutter SA = Adapter without Internal Shutter		P = Wall Plate

## ORDERING INFORMATION

Model No.	Description	Dimensions
CCP5R1SSNP	1 Port SC-APC Wall Terminal with Internal Shutter and Wallplate	2.8" W x 4.5" H x .08" D
CCP5R1SANP	1 Port SC-APC Wall Terminal with Wallplate	2.8" W x 4.5" H x .08" D
CCP5R1SAN	1 Port SC-APC Wall Terminal	1.9" W x 3.5" H x .06" D
CCP5-WP	CCP5 Wall Plate	2.8" W x 4.5" H x .02" D