

751B

Surface Mount Gel-Sealed Telephone Jack

Single Line RJ-11 Jack

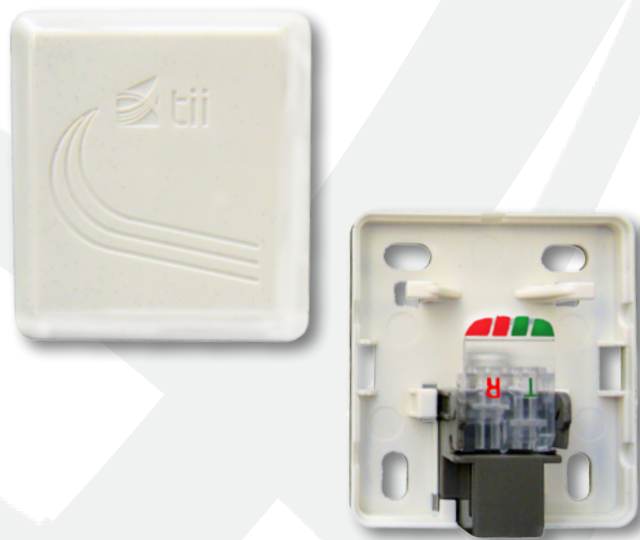
Serves as an Indoor
Demarcation Point

Suitable for Star or Daisy
Chain Wiring Topologies

Mounts Easily On Any
Flat Surface

Compact Design

Listed to UL/cUL



The 751B is a single line, indoor gel-sealed unit ideally suited for indoor telephone connections or demarcation applications. The 751B is compact and may be mounted to any suitable flat surface.

KEY PRODUCT BENEFITS

- ▶ Tool-less IDC rocker for telephone wire connections on the inside of jack
- ▶ Integrated strain reliefs for incoming/outgoing wires
- ▶ Gel-sealed RJ-11 jack for environmental robustness
- ▶ Two connection points (total of 4 IDC connections) for each Tip and Ring wires allow "In" and "Out" connectivity for daisy chain topologies

INDUSTRY STANDARDS

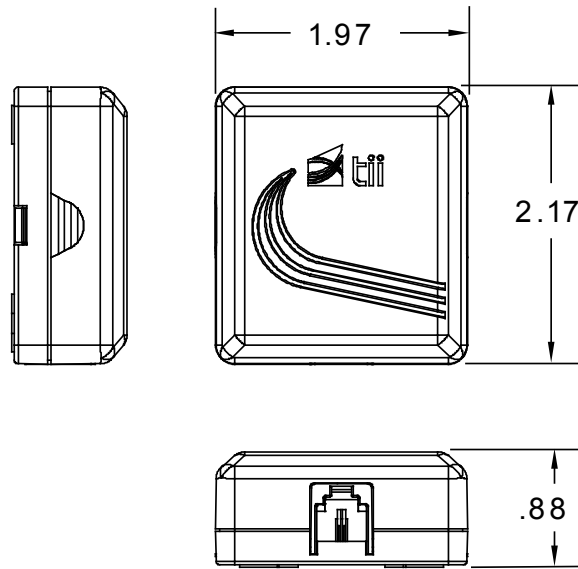
- ▶ Listed to UL/cUL



Tii Technologies Inc.

Corporate Headquarters:

141 Rodeo Drive
Edgewood, NY 11717
Phone: 631.789.5000
Fax: 631.789.5063
Toll Free: 888.844.4720
sales@tiitech.com



Dimensions are in Inches

ORDERING INFORMATION

Model #

Description

751B

Surface Mount Gel-Sealed Telephone Jack