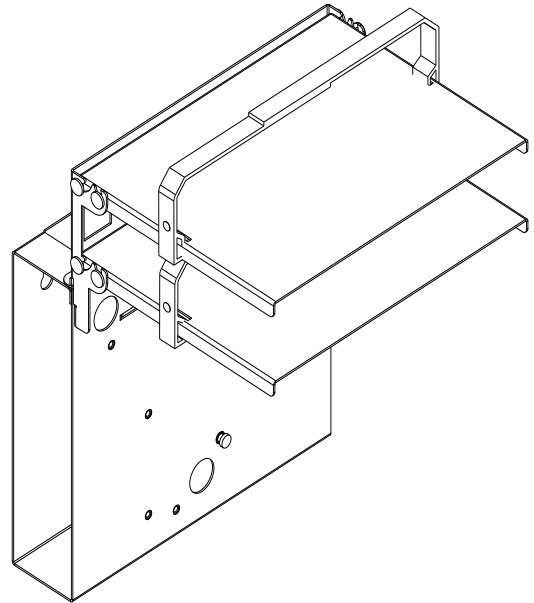




141 Rodeo Drive  
Edgewood, NY 11717  
Toll Free 888.844.4720  
www.tiinettech.com

## Model ONT-SS FOLDABLE ONT SHELF



## Installation Note

### Description

1. The tii Model ONT-SS is a durable steel bracket type shelf designed to contain the ONT, Modem and battery backup in one convenient location. Velcro straps have been provided to secure all components to the ONT-SHELF. A wire way at the back of the shelf enables routing of cables.
2. Shelf is also foldable for ease of transportation.

CAUTION: While installing shelves onto the shelf frame, hold the shelf from opposite side of hinges.

### Features

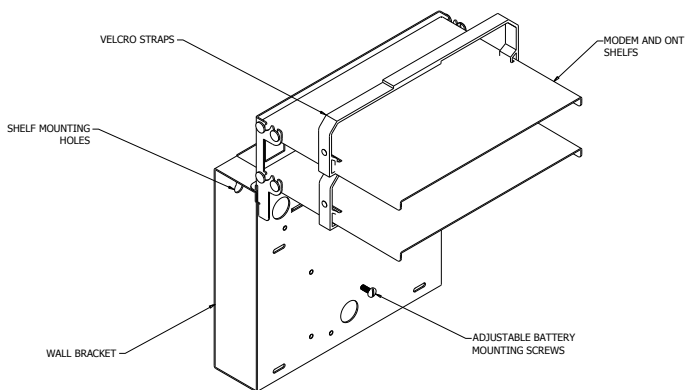


Figure 1

### Installation

1. Select location and mark hole centers using the ONT-SHELF as a template.
2. Secure ONT-SHELF to wall with the appropriate mounting screws. It is recommended the unit be mounted to wooden panel. If this is not available, directly to sheetrock surface using molly bolts/screws.
3. Select appropriate hole pattern that matches battery mounting holes. Install mounting screws into applicable battery mounting pattern.
4. Make all connections and route cables thru wire way in wall bracket.
5. Wrap Velcro straps tightly around components

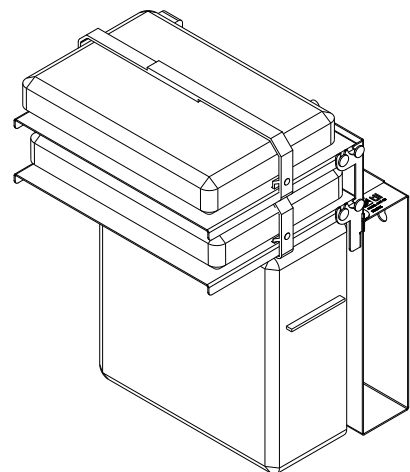


Figure 2