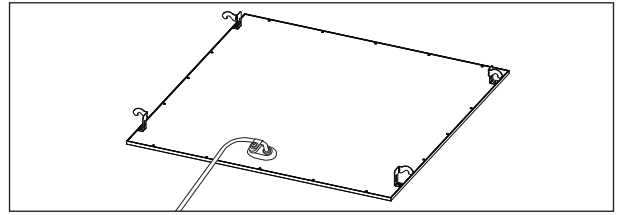


# REDWOOD READY PANEL INSTALLATION

## LED PANEL FEATURES

- Lumen maintenance  $L_{70} = 50,000$  hours
- 5 year limited warranty
- For Installation in Indoor dry or damp locations
- Complies with UL requirements for Insulation Contact



**IMPORTANT SAFETY INFORMATION** please read these instructions before installation:



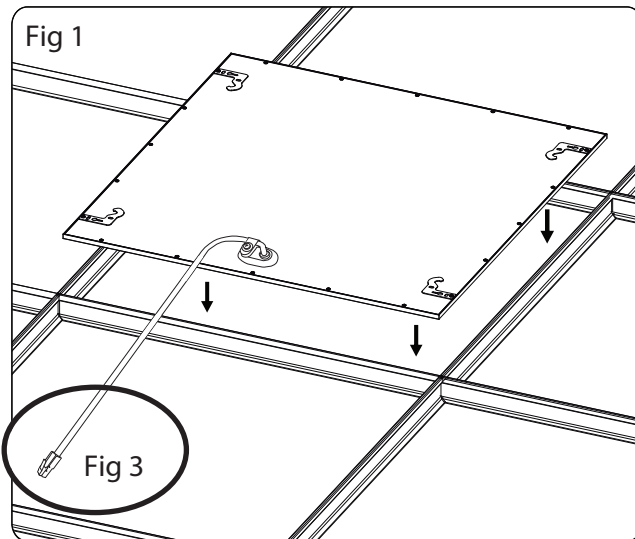
## WARNING: RISK OF ELECTRIC SHOCK

- Follow instructions carefully to assure full compliance with local, state and NEC requirements. Installation must be done by a qualified electrical contractor.
- Before installing the LED Panel, or doing any maintenance: Make sure to turn off the Redwood power supply at the circuit breaker or fuse box. Do not handle energized module with wet hands or when standing on wet or damp surface or in water.

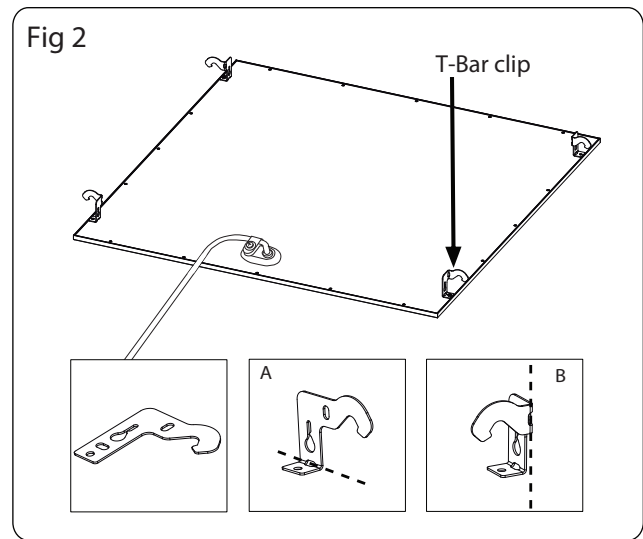
## INSTALLATION

**STEP 1:** Carefully unpack LED Panel from shipping container.

**STEP 2:** Insert LED Panel into T-bar ceiling grid. Orient the power cord to face direction of desired connection. (See Fig 1)



**STEP 3:** If necessary, secure Panel to ceiling grid by bending built-in T-Bar clips 90 degree as shown. (See Fig 2)



**STEP 4:** Connect the provided power cord to the Redwood sensor or power supply according to manufacturer's instructions (see Fig 3)



**Tii Technologies Inc.**  
 Corporate Headquarters:  
 141 Rodeo Drive  
 Edgewood, NY 11717  
 Phone: 631.789.5000  
 Fax: 631.789.5063  
 Toll Free: 888.844.4720  
 sales@tiitech.com  
 www.tiitech.com

**Locations:**  
 South March  
 Long March Industrial Estate  
 Daventry, NN11 4PH, UK  
 Phone: +44 (0) 1327 301853  
 Fax: +44 (0) 1327 879532  
 sales@tiitech.co.uk  
 www.tiitech.co.uk



Av. José de Escandón y Helguera  
 No. 21 Ciudad Industrial  
 Matamoros, Tamaulipas  
 C.P. 87494, México  
 Phone: 868.812.8011  
 Fax: 868.812.8025  
 salesmx@tiitech.com.mx  
 www.tiitech.com.mx

5103 Pegasus Ct., Suite H  
 Frederick, MD 21704  
 Phone: 631.789.5000  
 Fax: 631.789.5063  
 Toll Free: 888.844.4720