

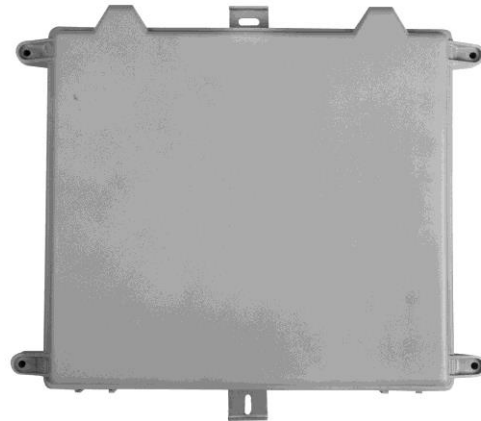
OD-ONT-SSC

Slack Storage Tray Cover



141 Rodeo Drive
Edgewood, NY 11717
Toll Free 888.844.4720
www.tiitech.com

Optional Slack Storage Tray
OD-ONT-SSENC



OD-ONT-SSC

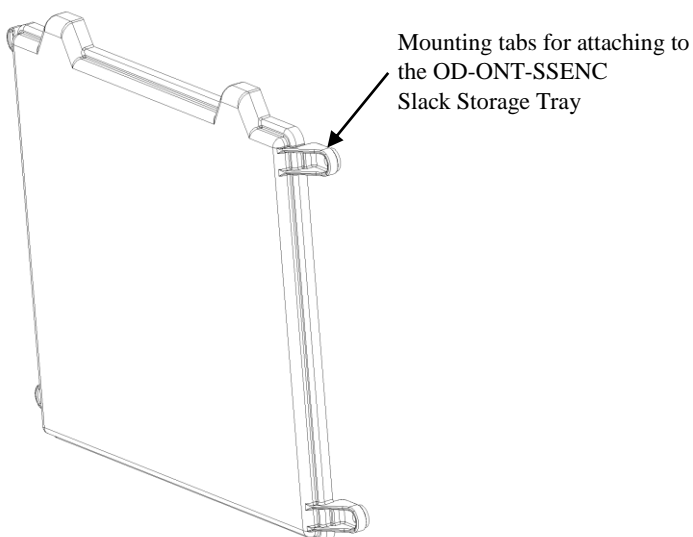
Installation Note

Description

1. The OD-ONT-SSC Slack Storage Tray Cover provides protection of the fiber optic cable when used in conjunction with the OD-ONT-SSENC Slack Storage Tray as a stand-alone unit. (Figure 1)
2. Four screws are provided with the OD-ONT-SSENC Slack Storage Tray to enable mounting to the OD-ONT-SSC Slack Storage Cover.

Features

Figure 1



Installation

1. Mount the OD-ONT-SSENC Slack Storage Tray to a suitable surface with screws (not included), paying close attention to the installation instructions provided with the OD-ONT-SSENC. Recommended screw size: #10 x 1 1/2" pan head self-tapping to be used in conjunction with plastic wall anchors.
2. Mount the OD-ONT-SSC Slack Storage Cover to the OD-ONT-SSENC Slack Storage Tray using the (4) screws supplied with the kit (Figure 2). Do not over-tighten the screws.

Figure 2

