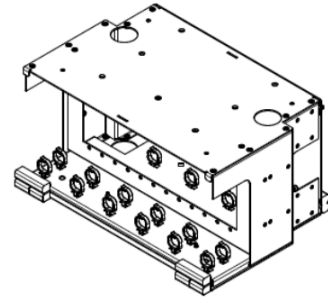


Warranty: If this unit fails during the warranty period, contact Tii customer service to authorize return. Unit may be returned prepaid.



141 Rodeo Drive
Edgewood, NY 11717
Toll Free 888.844.4720
www.tiitech.com

Model RM4UWL
4RU PATCH PANEL 12 PLATE CAPACITY



Installation Note

Description

The RM4UWL is a LGX Rack Mount Distribution Enclosure which fits both 19" and 23" Racks. It can be Factory loaded with adapter plates, pigtails and optional splice bay with trays.

Contents

- LGX-118 Series Rack mount Panel
- 19/23" Mounting Brackets
- Cable entry clamp
- Screws

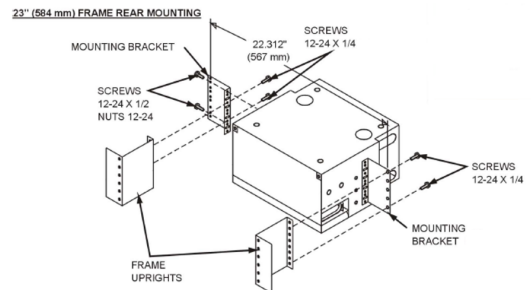
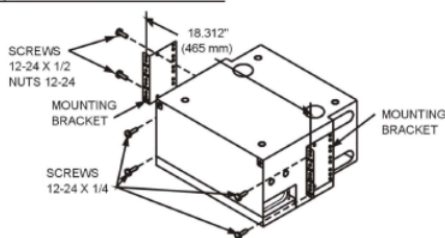
Features

- Universal 19 or 23" rack mounting
- Top and bottom mouse holes to route pigtails to optional splice bays.
- Up to 12 Adapter Plates LGX118
- Transparent patch panel doors

Installation

1. Secure either 19" or 23" Rack mount ears to panel using supplied screws.

19" (483 mm) FRAME MOUNTING CONFIGURATION



2. Position Enclosure at desired location in the Rack using supplied screws in the accessory kit. This unit will consume 4RU of space.
3. Install the cable entry clamp using supplied screws, locations allows for either top or bottom cable entry on both the left and right side.
4. Prep the feeder cable for termination per cable manufacturer's instructions, typically 1 meter jacket removal. And pull cable to suitable work surface.
5. Secure feeder cable to cable entry clamp using supplied hose clamps or other suitable fastener like a zip-tie

