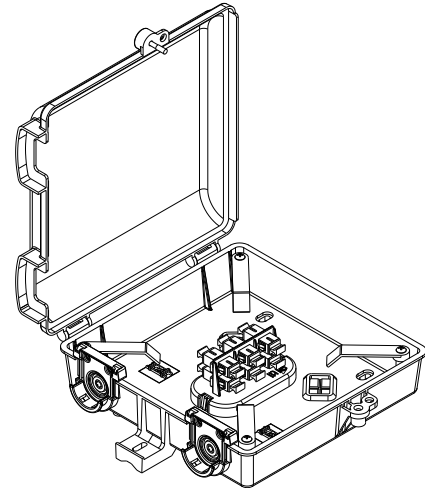


Warranty: If this unit fails during the warranty period, contact tii customer service to authorize return. Unit may be returned prepaid.



141 Rodeo Drive
Edgewood, NY 11717
Toll Free 888.844.4720
www.tiinettech.com

Model 506F-02-01-04
Fiber Interface Device



Installation Note

Description

1. The TII 506F-02-01-04 Fiber Optic Interface Device is a compact fiber optic connectivity and fiber slack storage enclosure.
2. The large split grommets located at the bottom of the base allow Telco drop lines and customer fiber cables to enter and exit the device.
3. The TII 506F-02-01-04 is supplied with SC adapters to allow up to six fiber optic connections.
4. The TII 506F-02-01-04 allows for sufficient drop/fiber cable slack storage in the base enclosure.

Installation

1. Mount the 506F Device so as to minimize the possibility of dirt or moisture getting into the enclosure.
2. 506F Devices mounted side-by-side or end-to-end should be placed so covers can easily be opened.
3. Mount the 506F Device vertically on a flat surface using appropriate hardware (the length of the mounting screws should allow for 1/8" of length within the enclosure).
4. The internal mounting holes are covered with a thin film of plastic, which are easily punched out, to maintain the environmental integrity of the enclosure (See Figure 2).
5. In addition to the internal mounting holes mentioned in step 4, there are external mounting ears which are provided for exterior mounting. Mount as previously stated using the appropriate mounting hardware and methods (See Figure 2).
6. You are now ready to place the drop/fiber cable slack into the enclosure and prepare for wiring.

Features

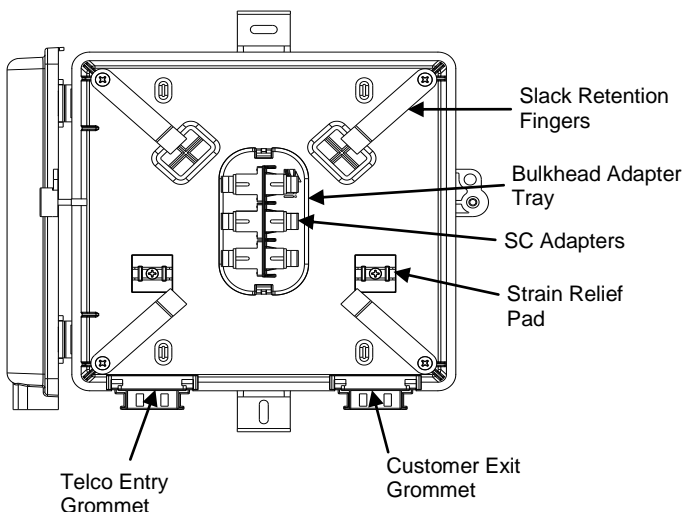


Figure 1

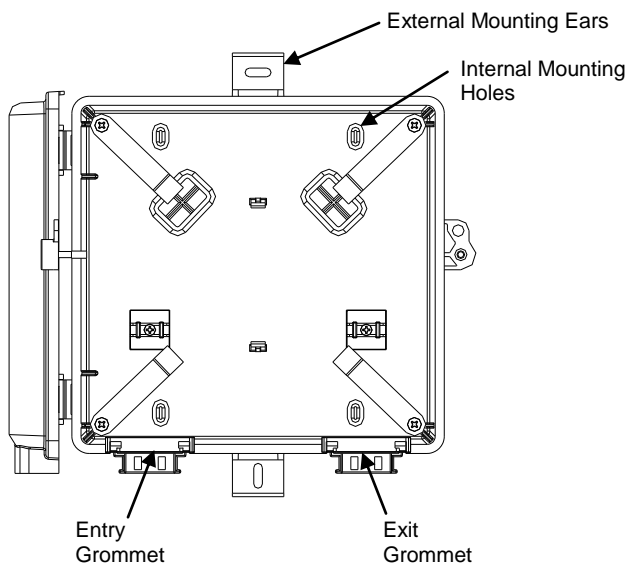


Figure 2

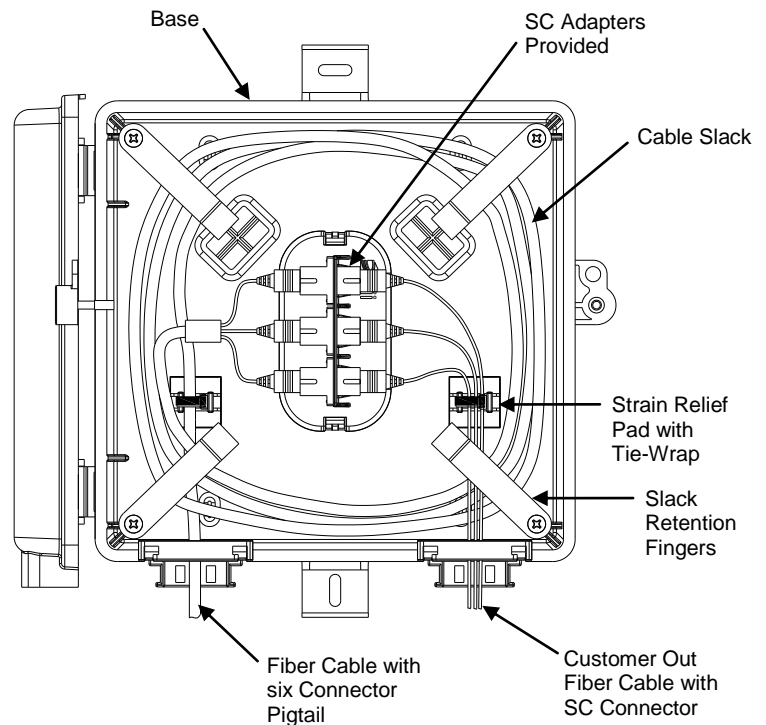


Figure 3

Wiring

1. Punch a hole through the left grommet and guide the Fiber Drop Cable through the entry grommet.
2. Insert the SC connector from the pre-wired fiber cable into the left side of the provided SC Adapter.
3. Insert the SC Connector from the Customer Out Fiber Cable to the right side of the SC Adapter.
4. Punch a hole through the right grommet and guide the Customer Fiber Cables through the Customer Exit Grommet
5. Wrap the excess Fiber Cable slack in the clockwise direction and place it into the base enclosure and under the slack retention fingers.
6. Use a tie-wrap to hold any spliced connections and cables to the strain relief pads.
7. Close and secure the cover. Tighten the security hex screw until it is snug. Be sure not to over tighten the screw.