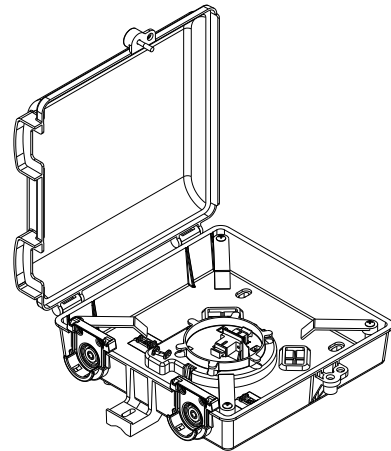


Warranty: If this unit fails during the warranty period, contact tii customer service to authorize return. Unit may be returned prepaid.



141 Rodeo Drive
Edgewood, NY 11717
Toll Free 888.844.4720
www.tiinettech.com

Model 506F-01-01-01/-02/-03
Fiber Interface Device



Installation Note

Description

1. The TII 506F Fiber Optic Interface Device is a compact fiber optic connectivity and fiber slack storage enclosure.
2. The large split grommets located at the bottom of the base allow Telco drop lines and customer fiber cables to enter and exit the device.
3. The TII 506F Series is supplied with SC adapters to allow one to four fiber optic connections.
4. The TII 506F allows for sufficient drop/fiber cable slack storage in the base enclosure as well as an additional slack tray that holds an ample amount of customer fiber cable slack.

Installation

1. Mount the 506F Device so as to minimize the possibility of dirt or moisture getting into the enclosure.
2. 506F Devices mounted side-by-side or end-to-end should be placed so covers can easily be opened.
3. Mount the 506F Device vertically on a flat surface using appropriate hardware (the length of the mounting screws should allow for 1/8" of length within the enclosure).
4. The internal mounting holes are covered with a thin film of plastic, which are easily punched out, to maintain the environmental integrity of the enclosure (See Figure 2).
5. In addition to the internal mounting holes mentioned in step 4, there are external mounting ears which are provided for exterior mounting. Mount as previously stated using the appropriate mounting hardware and methods (See Figure 2).
6. You are now ready to place the drop/fiber cable slack into the enclosure and prepare for wiring.

Features

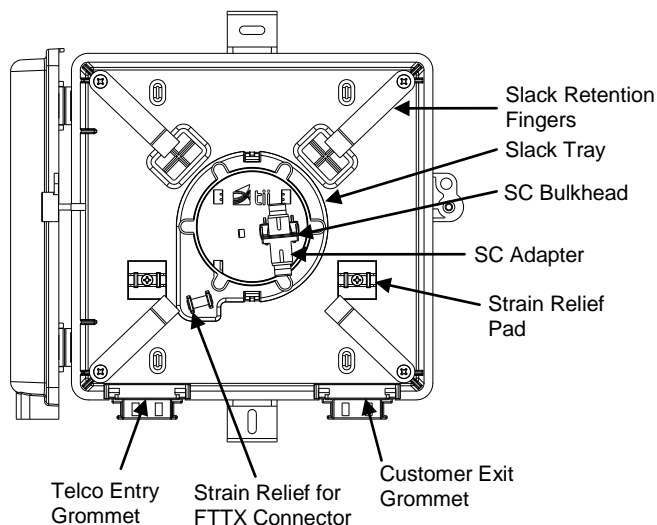


Figure 1

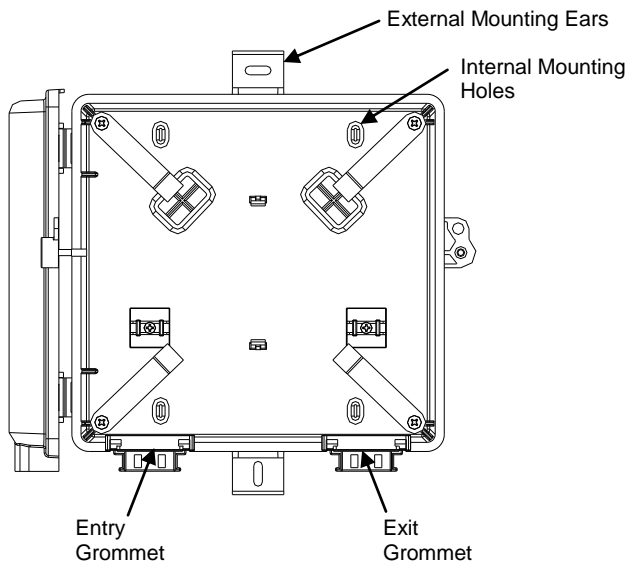


Figure 2

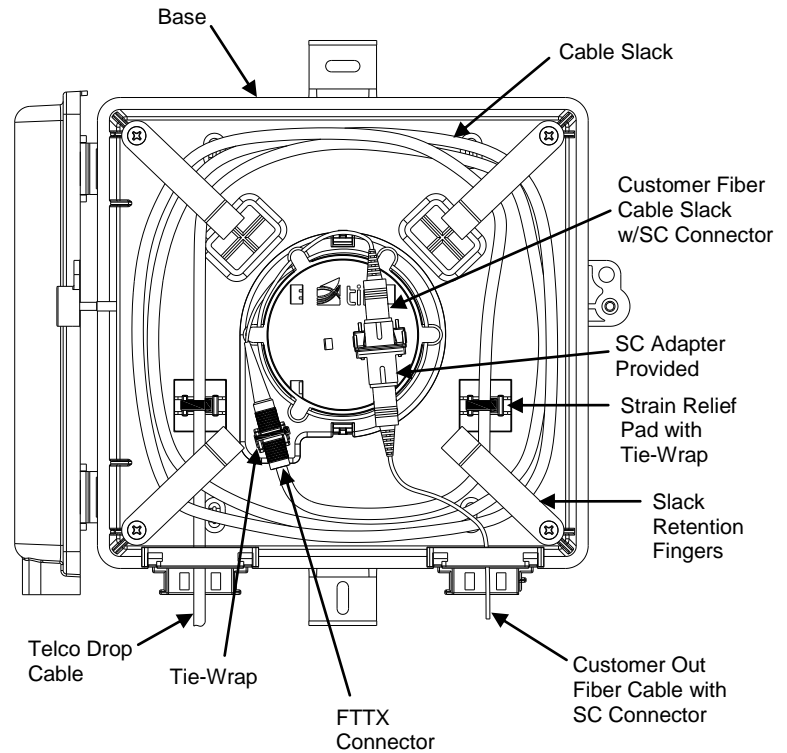


Figure 3

Wiring

1. Punch a hole through the left grommet and guide the Telco Drop Cable through the entry grommet.
2. Using the FTTX Connector, splice the Telco Drop Cable and the Customer Fiber Cable together as required.
3. Install the already spliced FTTX Connector to the slack tray strain relief using a tie-wrap. Push the tie-wrap through the provided slots on the slack tray, wrap over the FTTX Connector and tighten the tie-wrap.
4. Wrap excess Customer Fiber Cable clockwise around the slack tray.
5. Then insert the SC connector into the provided SC Adapter.
6. Insert the SC Connector, Customer Out Fiber Cable to the opposing side of the SC Adapter.
7. Wrap the excess drop cable/fiber cable slack in the clockwise direction and place it into the base enclosure and under the slack retention fingers.
8. Use a tie-wrap to hold any spliced connections and cables to the strain relief pads.
9. Punch a hole through the right grommet and guide the Customer Fiber Cable through the Customer Exit Grommet.
10. Close and secure the cover. Tighten the security hex screw until it is snug. Be sure not to over tighten the screw.