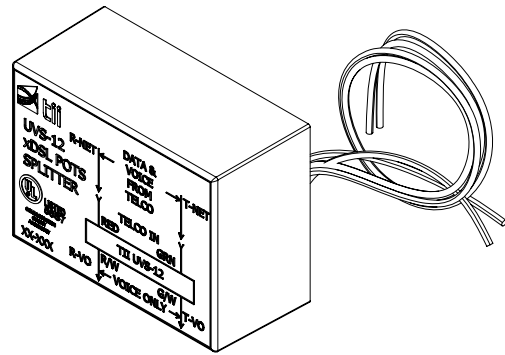


**Warranty:** If this unit fails during the warranty period, contact tii customer service to authorize return. Unit may be returned prepaid.



141 Rodeo Drive  
Edgewood, NY 11717  
Toll Free 888.844.4720  
www.tiinettech.com

**Model UVS-12**  
xDSL POTS Splitter



## Installation Note

### Description

1. The tii UVS-12 xDSL POTS Splitter module maintains a constant direct connection between customer and central office service provider. The tii UVS-12 is supplied with 8 inch long leads for easy installations in confined spaces.

### Features

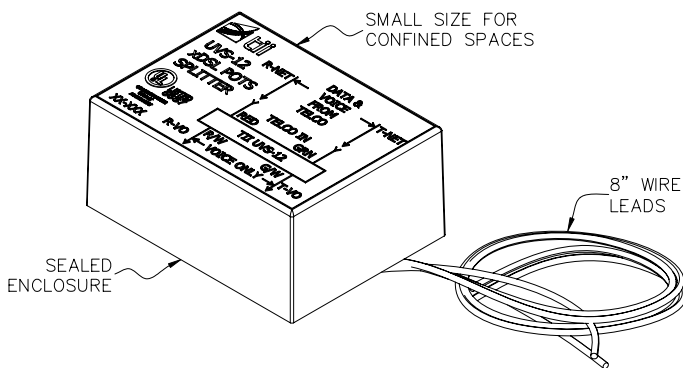


Figure 1

### Installation

1. Identify the location where the tii UVS-12 is to be installed.
2. Attach red/green wire pair to the wire pair bringing in DSL/POTS service.
3. Connect red/white, green/white wire pair of the UVS-12 to the customer telephone using the appropriate connector.
4. Attach the DSL modem wires to the red/green wires of the UVS-12.

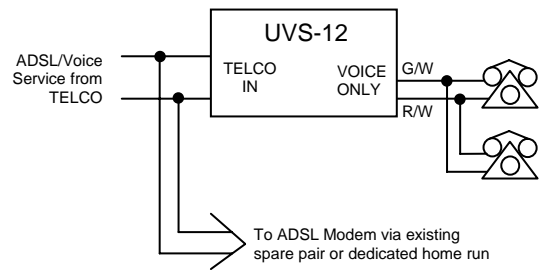


Figure 2  
Wiring Diagram

### Central Office Signal Testing

1. Lift the telephone receiver to off hook position
2. Check for the dial tone. If the dial tone is present, splitter UVS-12 has been installed properly.
3. Test and verify the DSL modem operation. The UVS-12 installation is complete.