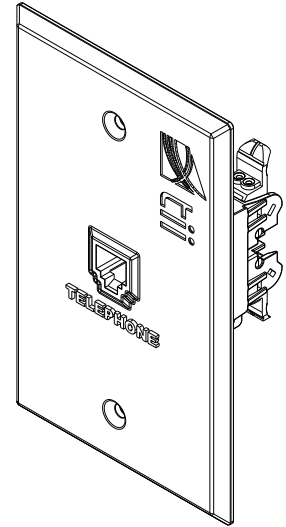


**Warranty:** If this unit fails during the warranty period, contact tii customer service to authorize return. Unit may be returned prepaid.



141 Rodeo Drive  
Edgewood, NY 11717  
Toll Free 888.444.4720  
www.tiinettech.com

**Model 761-2T/761S-2T**  
Indoor Telephone Surface Mount Phone Jack

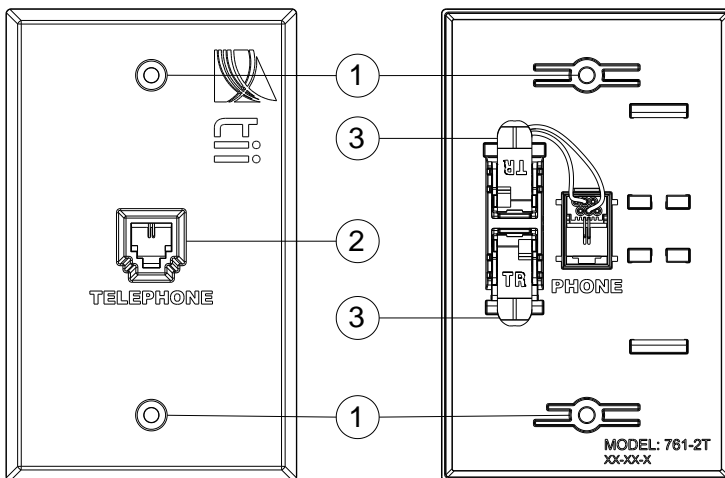


## Installation Note

### Description

1. The tii 761-2T is an indoor telephone surface mount phone jack with one RJ-11 jack and one double IDC rocker.
2. The tii 761S-2T utilizes gel sealed insulation displacement terminations that provide reliable connectivity.
3. The tii 761-2 Series is for indoor use only.
4. IDC rockers are used to terminate 26-22 AWG solid wire.

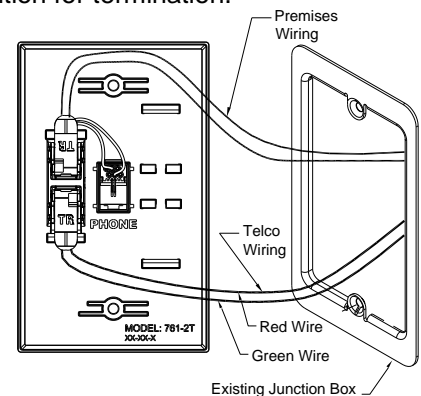
### Front / Rear Panel Features



- 1 Mounting Holes - Use supplied #6 oval head screws to fasten to electrical wall box.
- 2 RJ-11 Jack - Customer wiring interface.
- 3 IDC Rockers - Telco wiring interface.

### Installation

1. The 761-2 series should be mounted to a standard single gang electrical wall box.
2. Locate the existing phone jack outlet box where telephone wires enter the premises. Disconnect the incoming telephone service to the existing RJ-11.
3. Turn the 761-2 so the IDC rocker is facing you (See Figure 1).
4. Pull up the bottom IDC rocker to the fully open position, insert Telco wires as shown in Figure 1 until they bottom out, do not strip wires.
5. For Loop-Thru applications, insert premises wiring to the top IDC as shown in Figure 1.
6. Push down the IDC rocker's to the closed position for termination.



**Figure 1**

7. Dress the wires properly inside the junction box and secure the 761-2 to the junction box using the supplied #6 oval head screw's (See Figure 2).

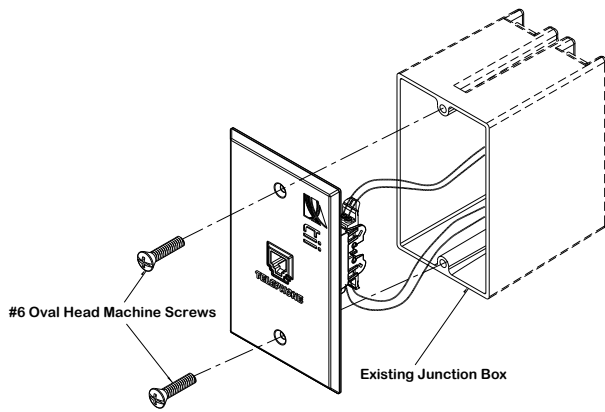


Figure 2

8. Connect the existing phone into the RJ-11 receptacle on the front face plate (See Figure 3).

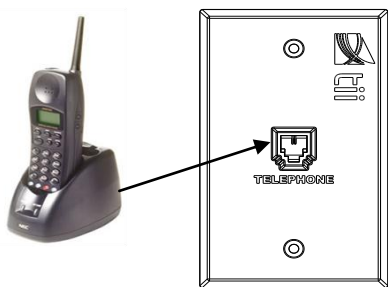


Figure 3

## Existing Construction Installation

1. Cut drywall 2" W x 3.5" L in the location where the 761-2 is going to be mounted. **Prior to cutting hole confirm that there are no obstructions behind wall.**
2. After drywall has been cut, install the metal cut-in ring wall mounting plate. Bend the two mounting tabs behind the drywall and secure the mounting plate with the supplied drywall screws (See Figure 4). Align the mounting tab slots while tightening the screws.

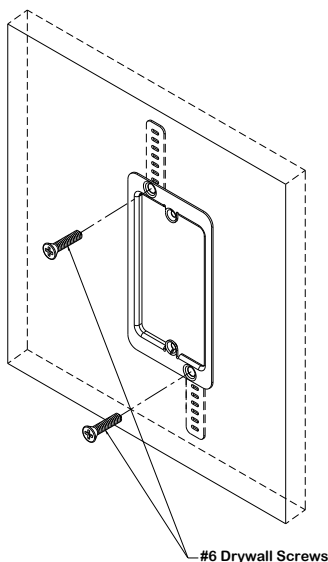


Figure 4

3. Dress the wires properly inside the wall mounting plate and secure the 761-2 to the wall mounting plate using the supplied #6 oval head screw's (See Figure 5).

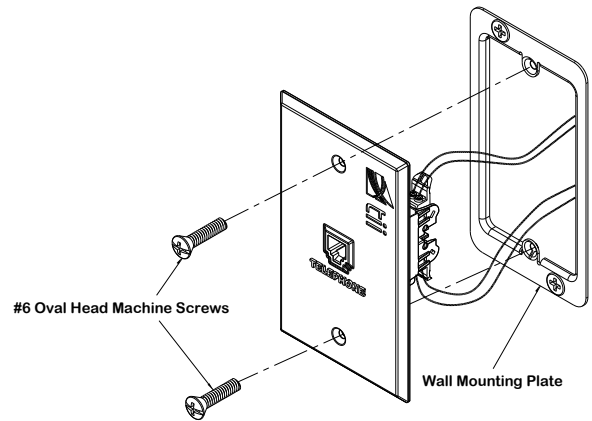


Figure 5

## Removal & Installation of IDC Rocker Assemblies

1. The IDC Rocker Assemblies are removable. This will provide slack so the installer can attach the wires from the electrical box to the IDC's if the wires are too short.
2. To remove, push in the clip located on the IDC Rocker Assembly. Lift up and slide the out the assembly from the 761 wall plate. (See Figure 6).
3. Attach the wires from the electrical box to the IDC Rockers as per the installation notes.
4. To install, slide in the IDC Rocker Assembly (wire side first) into the slots on the 761 wall plate. (Be sure not to pinch the wires when installing). Then push down on the clip side of the assembly and snap it into the slot on the 761 wall plate. (See Figure 6).

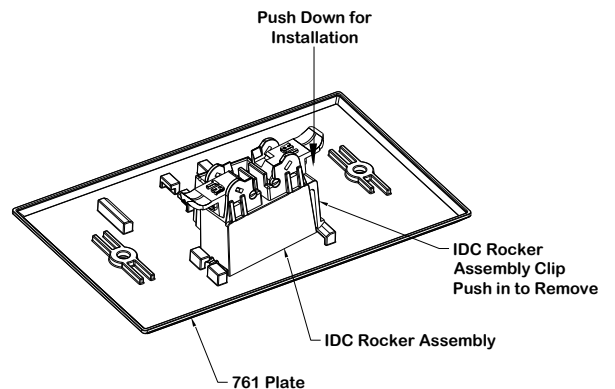


Figure 6