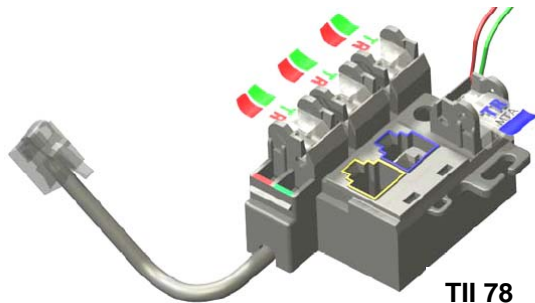
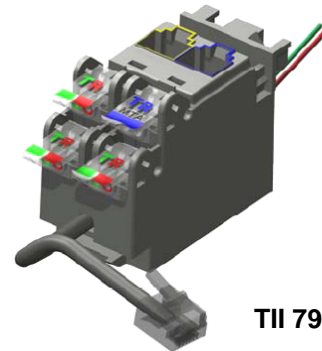


INSTALLATION NOTE



TII 78



TII 79

1. GENERAL DESCRIPTION

1.1 The TII 78 and 79 Series are designed for applications requiring more than one service provider which requires a connection to a single tip-ring pair. It offers one or more outputs for the customer premises telephone wire termination.

2. WARRANTY

2.1 See TII Warranty. If this unit fails during the warranty period, the factory should be requested to authorize return. Return the unit prepaid. Units that fail due to normal wear or abuse should be discarded.

3. INSTALLATION

3.1 Remove the Dual Service Provider Switch from plastic bag and inspect; if damaged, replace with an undamaged switch.

3.2 Installation is accomplished using standard technician tools. The Insulation Displacement Contacts (IDC) are achieved using gel sealed rockers.

3.3 IDC Terminations accept 26-22 AWG solid wire.

3.4 Locate a suitable flat, dry area to install the unit. Use a size #8 screw to mount the unit. Install the TII 78 Series Termination Block. See Figure 1.

3.5 The 78 switch can be installed within an indoor / outdoor listed housing. Use suitable hardware to attach the block to the mounting service.

3.6 The 79 switch mounts in the customer compartment of a TII 5100 NID. See Figure 2.

3.7 Lower the 79 switch into the 5100 NID and align the locating fingers with the locating slots. Press down until unit locks into locking tab. See Figure 3.

4. WIRING

4.1 Provides three pair customer wire terminations with very low insertion loss from input to output.

Do not strip wire insulation from wires to be terminated to Switch.

TII 78 Wiring

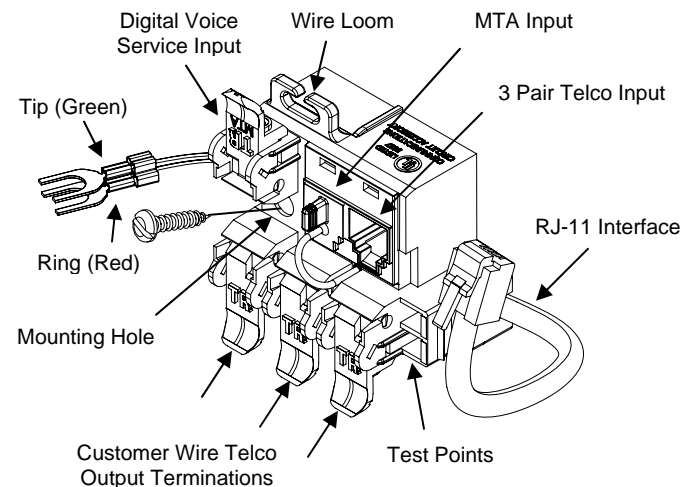


FIGURE 1

NOTE: IDC's accept 22-26 AWG solid wire. Wires should be aligned to the corresponding holes. Green wire to the "T" (GRN) labeled wire guide and the Red wire to the "R" (RED) labeled wire guide.

Telco Service

- 4.2 Wire spaded lugs to the corresponding Telco Service Input.
- 4.3 Insert the RJ-11 interface plug into the 3 pair Telco input receptacle.
- 4.4 Insert wires into customer wire guides at the same time until they bottom out. While holding wires in wire guides, terminate rocker with thumb (lower rocker all the way).
- 4.5 Terminate additional wire pairs to the remaining rockers as required.

VoIP Service

- 4.6 Connect the Digital Voice Service Input wires to the Blue MTA rocker, following step 4.4.
- 4.7 Insert the RJ-11 interface plug into the MTA input receptacle.
- 4.8 Insert wires into the customer wire telco output rockers as required.

5. TESTING

- 5.1 Test for line continuity using the test points. (Figure 1).

TII 79 Installation

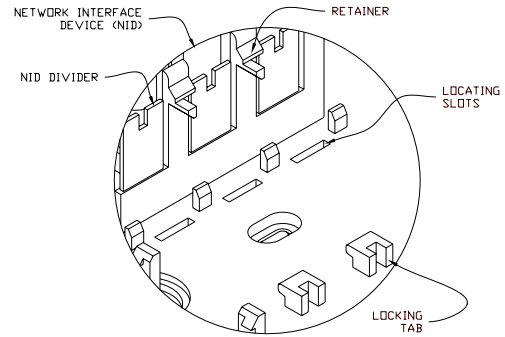


FIGURE 3

TII 79 Wiring

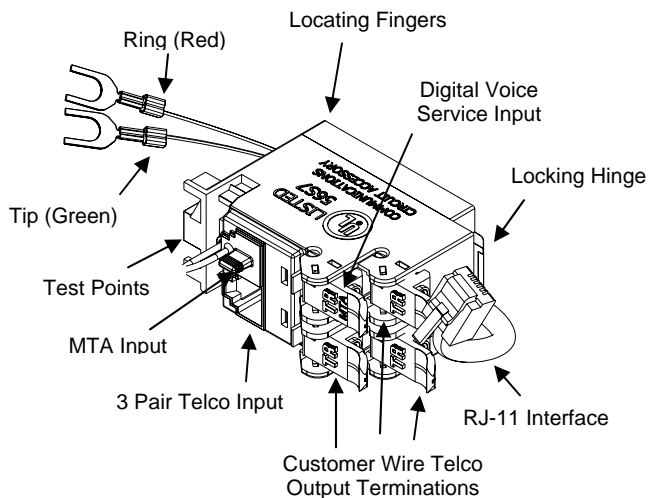


FIGURE 2