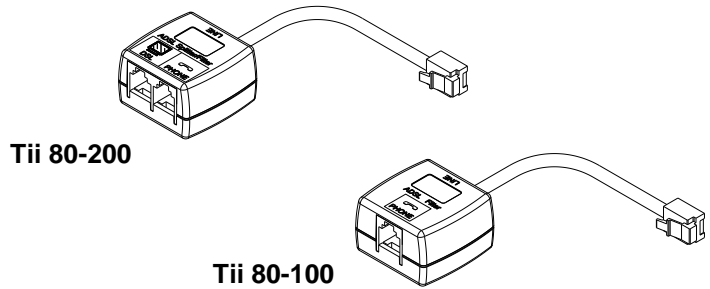


Warranty: If this unit fails during the warranty period, contact tii customer service to authorize return. Unit may be returned prepaid.



141 Rodeo Drive
Edgewood, NY 11717
Toll Free 888.444.4720
www.tiinettech.com

Model 80-100 / 80-200
Indoor DSL Filter / Indoor DSL Filter with
Data Port



Installation Note

Description

1. The tii Series 80-100 and 80-200 are both ADSL low pass filters. They are passive in-line devices designed to let through POTS (Plain Old Telephone Service) while blocking the Asymmetric Digital Subscriber Line (ADSL) signals.
2. The tii Series 80-200 has a second unfiltered RJ-11 port for connection to ADSL modems and Home Phone Network (HPN) services.

Features

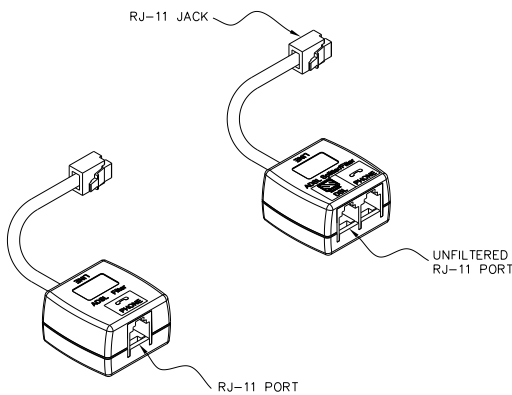


Figure 1

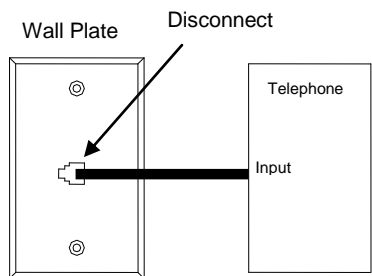


Figure 2 Existing Telephone Connections

Installation

1. Identify the location where the existing phone line is installed.
2. Disconnect the existing telephone cable from the wall jack to telephone (See Figure 2)
3. Insert the RJ-11 plug of the tii 80-100/80-200 (Line) into the RJ-11 jack of the wall outlet (Figures 2 and 3).
4. Reconnect the telephone cable from the Telephone (Input) to the RJ-11 on the tii 80-100/200 (Line). For ADSL modem connection use 80-200. (Figures 3 and 4)
5. Perform necessary tests to confirm that the computer communicates with the DSL modem.

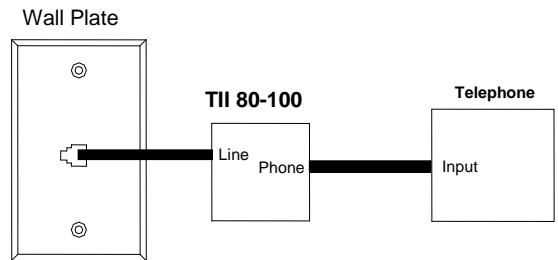


Figure 3 Tii 80-100 Installation

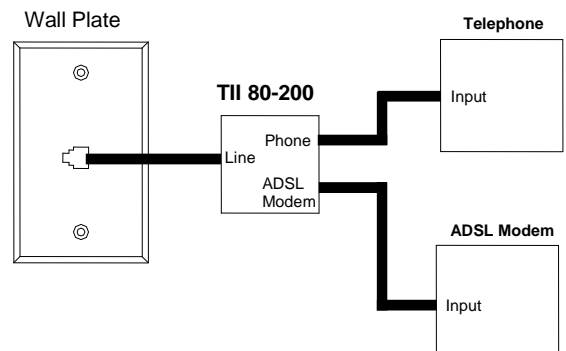


Figure 4 Tii 80-200 Installation