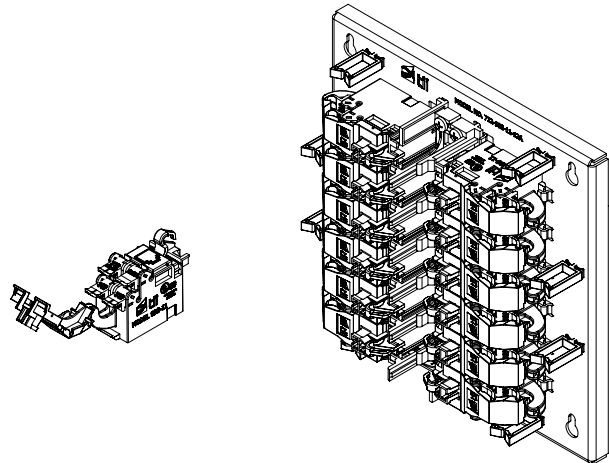


**Warranty:** If this unit fails during the warranty period, contact tii customer service to authorize return. Unit may be returned prepaid.



141 Rodeo Drive  
Edgewood, NY 11717  
Toll Free 888.444.4720  
www.tiinettech.com

**Model tii 99S SERIES**  
MDU ADSL2+/VDSL2 Splitter Modules  
**Model tii 712 SERIES**  
12 Pair Mounting Plate



## Installation Note

### Description

1. The tii 99S Series MDU ADSL2+/VDSL2 Splitter Module maintains a constant direct connection between customer and central office service provider. The Splitter Module is equipped with the following IDC connections: (2) POTS Lines, (1) CO Service IN, (1) Data signal (Modem). Test ports are provided to assure a signal is received from the central office.
2. The tii 712 Series 12 Pair Mounting Plate is configured to hold up to 12 ADSL2+/VDSL2 Modules.

### Installation

1. Hold the Splitter Module with the cover pivot side on the right.
2. Angle the module so that the locking hinge is secured under the locking tab (See Figure 1).
3. Align the (2) front locating fingers with the locating slots. Engage the right end ledge under the retainer. (See Figure 1).
4. Push the left side end down until the latch snaps closed.
5. Follow steps 1-4 for the remaining module installations.
6. Mount the 712 mounting plate with #10 sheet metal screws of the appropriate length. The mounting center dimensions are 6 3/4 x 6 7/8 (See Figure 3).

### Features

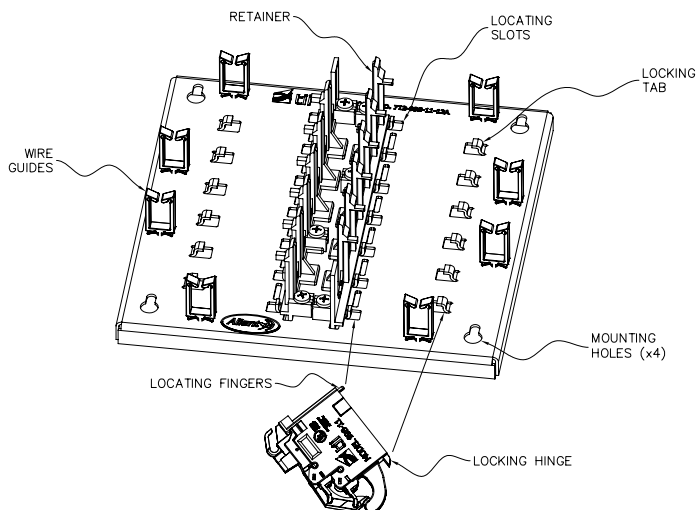


Figure 1

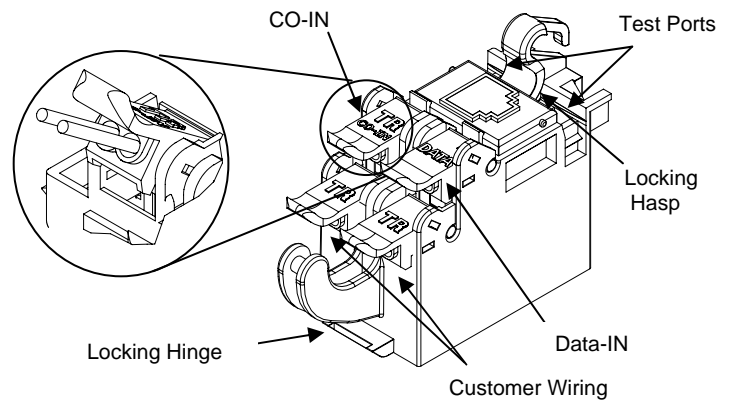


Figure 2

## Wiring

1. Do not strip wire insulation from wires to be terminated to Splitter Module.

✓ **Note:** IDC's accept 22-26 AWG solid wire. Wires should be aligned to the corresponding holes. Green wire to the "T" (GRN) labeled wire guide and the Red wire to the "R" (RED) labeled wire guide.

2. Insert wires into wire guides at the same time until they bottom out. While holding wires in wire guides, terminate rocker with thumb. Lower rocker all the way (See Figure 2).
3. Terminate Central Office service lines to CO-IN (See Figure 2).
4. Prior to connecting POTS and Data Lines confirm Central Office (CO-IN) connection at the test ports using test clips and appropriate test equipment (See Figure 3).

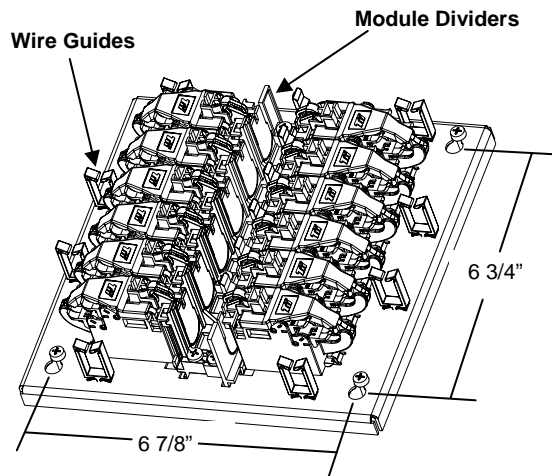


Figure 3

5. Two telephone voice (POTS) pairs and one DSL line (DATA) can be connected to a single Splitter Module (See Figure 2).
6. Dress wires through wire guides and use cable ties as needed (See Figure 3).
7. The customer has the option of installing a #10 Master lock around the customer lock hasp (See Figure 1).

8. Insert test clips into test ports and follow company procedure for testing (See Figure 4).

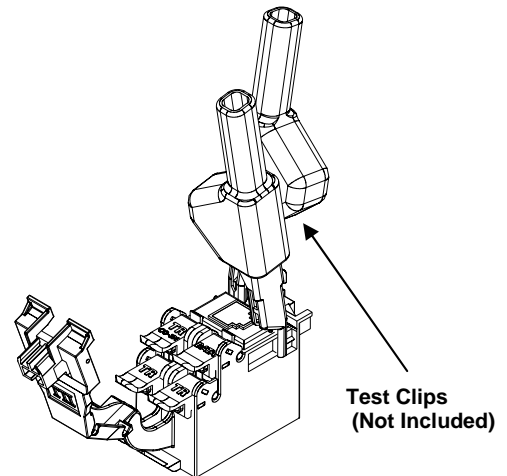


Figure 4