

INSTALLATION NOTE

TII 164-2



1. GENERAL

- The TII 164 Series Outdoor Sealed Wire Terminal Enclosure housing TII 67 Series Wire Termination Blocks where several parallel connections to a single tip-ring pair are needed.
- TII 164 Series may be mounted indoors or outdoors using the standard hardware provided.
- TII 164 Series provides parallel connections with the following configurations (Figure 2):

Model #	Description
TII 67-1	1-pair input, 3 parallel pair outputs
TII 67-2	2-pair inputs, 2 parallel pair outputs

- IDC rockers are used to terminate 26-22 AWG solid wire.

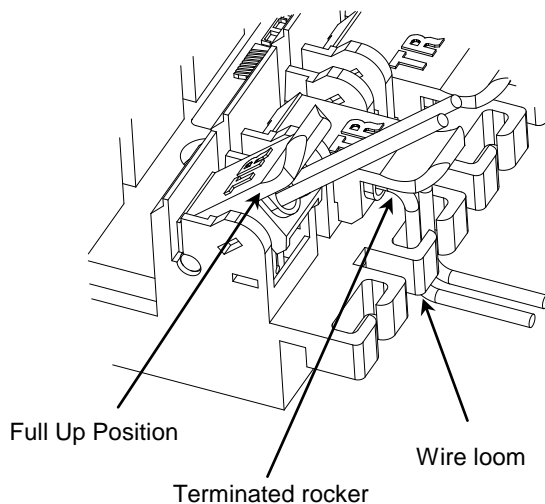
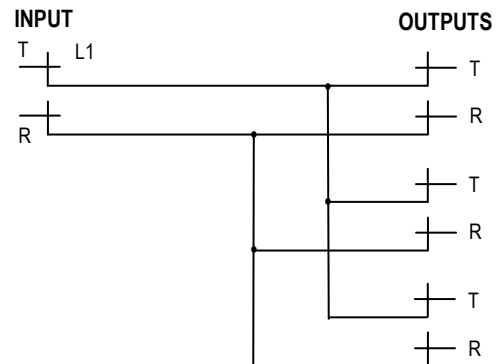


Figure 1

2. INSTALLATION

- Remove the TII 164 and inspect it for damage. If damaged, obtain another unit
- Locate a suitable flat, dry area to install the unit.
- Use two size #8 screws to mount the unit.
- Lift the rocker of the input terminal to the full up position. **DO NOT** strip wires (See Figure 1).
- Insert wires into wire guides simultaneously until they bottom-out. While holding wires in position, terminate rocker by lowering to the full DOWN position (Figure 1).
- Terminate any additional input or output pairs as required following the same steps.
- To keep wire pairs organized, route them through the molded wire looms (Figure 1).
- Dress the wires properly inside the housing and close the cover. A suitable tie wrap can be used for added security.

TII 67-1



TII 67-2

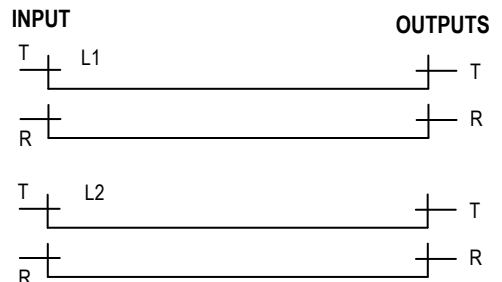


Figure 2