

SVM-1R-P

Indoor Switchable Voice Module

For Use When
Porting Existing
Telephone Numbers

Automatic Switching to
Digital Phone Service

No Attenuation of
Telephone Signals

Mounts Easily to a
Suitable Flat Surface

Utilizes Standard
RJ-11 Plug and Jack for
Convenient Connectivity



Tii Technologies Inc.

Corporate Headquarters:

141 Rodeo Drive
Edgewood, NY 11717
Phone: 631.789.5000
Fax: 631.789.5063
Toll Free: 888.844.4720
sales@tiitech.com



The Switchable Voice Module (SVM) provides seamless switching from Telco service to digital phone service. A flashing green LED indicates EMTA power is connected to the SVM.

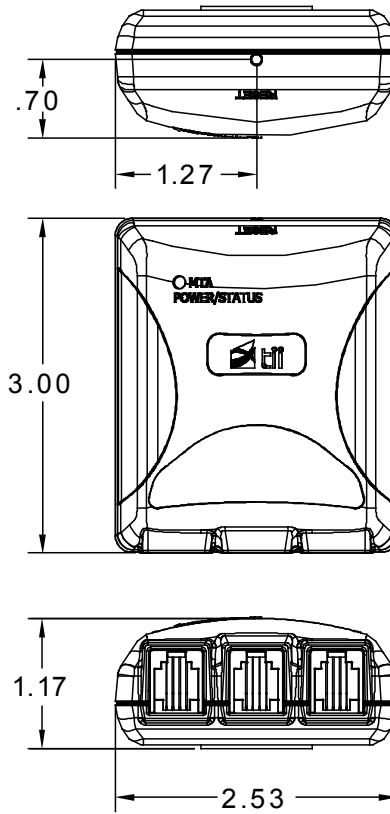
KEY PRODUCT BENEFITS

- ▶ The customer is not without telephone service during the number portability process
- ▶ Eliminates additional truck roll costs by automatically switching service provider connections when ring signals are detected from the MTA
- ▶ Equipped with secondary telephone line surge protection
- ▶ Allows faster revenue capture by immediately switching from the incumbent service provider when a ported number is available
- ▶ LED indicates that power is being provided by the MTA
- ▶ Compact, low profile design fits into applications where space is limited
- ▶ The SVM Series may be universally mounted via double sided tape to a suitable flat surface
- ▶ Connections are made via standard RJ-11 plug and jacks
- ▶ Flashing green LED indicates EMTA power

INDUSTRY STANDARDS

- ▶ Listed to UL 1863
- ▶ FCC Part 68 Registered

SVM-1R-P



Dimensions are in Inches

ORDERING INFORMATION

Model No.	Description	Standard Pkg.
SVM-1R-P	Indoor Switchable Voice Module with Protection	10 Pieces - 0.31 lbs. each