

## OM Series

### 25-100 Pair Outdoor Modular BET, BET/NID

Available in 25, 50  
and 100 Pair Counts

BET/NID Versions  
Utilize Tii Auto-Jack®

Toolless IDC Connections

CAT5e Transmission Performance

Compact Footprint

Aluminum Construction

Padlockable



#### Tii Technologies Inc.

##### Corporate Headquarters:

141 Rodeo Drive  
Edgewood, NY 11717  
Phone: 631.789.5000 • Fax: 631.789.5063  
Toll Free: 888.844.4720  
sales@tiitech.com

##### Locations:

South March  
Long March Industrial Estate  
Daventry, Northamptonshire, NN11 4PH, UK  
Phone: +44 (0) 1327 301853  
Fax: +44 (0) 1327 879532  
sales@tiitech.co.uk

Av. José de Escandón y Helguera  
No. 21 Ciudad Industrial  
Matamoros, Tamaulipas, C.P. 87494, México  
Phone: 868.812.8011 • Fax: 868.812.8025  
salesmx@tiitech.com.mx

www.tiitech.com



Tii's OM Series Modular Outdoor BET and BET/NIDs serve as a network demarcation and distribution point to protect and distribute central office cable pairs at the subscribers' premises. The modular designs allow maximum flexibility and easy expansion.

The customer demarcation point in BET/NIDs is implemented using the Tii Auto-Jack®. When engaged, the Auto-Jack® connects the RJ11 test plug contacts to the Central Office (CO) for dial tone validation, while disconnecting the customer from the circuit.

A wide variety of splice modules are available for central office cable. The protection field can be populated with solid state or gas tube protectors, and is sealed to protect from moisture and corrosion. The units are available with or without factory installed & tested solid state or gas tube protectors.

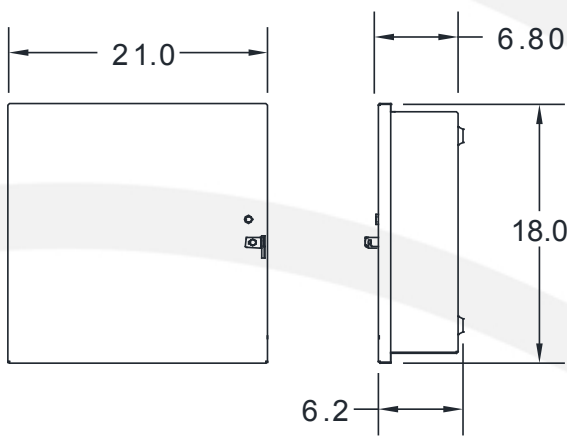
#### KEY PRODUCT BENEFITS

- ▶ Aluminum construction, powder coated beige
- ▶ Outdoor cover utilizes "slam latch" with 216 tool access
- ▶ Padlockable with Telco override
- ▶ Splice chamber requires 216 tool for access
- ▶ Industry standard 5-pin protector field
- ▶ Assortment of splice modules for central office cable
- ▶ Available with factory installed solid state or gas tube protectors
- ▶ Stackable for additional capacity using a stacking kit

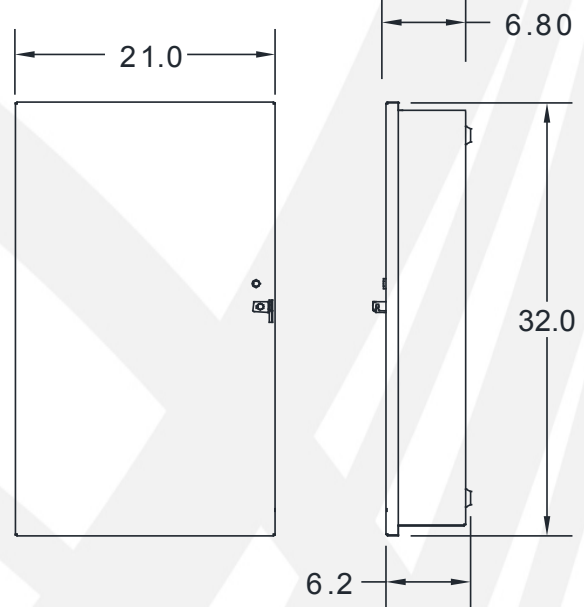
#### INDUSTRY STANDARDS

- ▶ IDC Connector - Telcordia TR-NWT-001195
- ▶ BET - Telcordia GR-937/GR-2916
- ▶ NID - Telcordia GR-49/GR-239
- ▶ UL Listed

# OM Series BETs



**B = 25-50 PAIR**



**C = 25-100 PAIR**

*Dimensions are in Inches*

Housing	Dimensions (height x width x depth)
25-50 Pair	20.0" x 21.0" x 6.8"
25-100 Pair	35.0" x 21.0" x 6.8"

## ORDERING INFORMATION

OM	XXX	X	X	XXX	X	XXX	XX
Pair Count	Output	Housing	Protection	Input	Stub Length	OEM	
025	N = None	B = 25-50 Pair	NOP = No Protectors	G = Stubbed Only	000 = None	Contact Sales	
050	M = Tooless IDC & NID	C = 25-100 Pair	3B1ES = 300V Solid State Black, no Test Points	H = 4005 GPM (MS2 Gel)	007 = 7 Ft		
100	P = Tooless IDC		3B1FS = 240V Solid State Black, no Test Points	K = 4005 DBM (MS2 Dry)	025 = 25 Ft		
	R = Tooless IDC & RJ21		3B3ES = 300V Solid State Red, no Test Points	P = 710 SC1 (710 Gel)			
	S = RJ21		3B3FS = 240V Solid State Red, no Test Points	T = 710 SD1 (710 Dry)			
			3C1ES = 300V Solid State Black, Test Points	N = Raw Cable			
			3C1FS = 240V Solid State Black, Test Points				
			3C3ES = 300V Solid State Red, Test Points				
			3C3FS = 240V Solid State Red, Test Points				
			6B1E = 350V Gas Tube, Black, PTC, no Test Points				
			6C1E = 350V Gas Tube, Black, PTC, Test Points				
			3B1E = 350V Gas Tube, Black, no Test Points				
			3C1E = 350V Gas Tube, Black, Test Points				