

OF Series

Indoor/Outdoor Fixed BET and BET/NID

Available in 25, 50, 100
and 300 Pair Counts

BET/NID Versions
Utilize Tii Auto-Jack®

Toolless IDC Connections

CAT5e Transmission Performance

Compact Footprint

Aluminum Construction

Padlockable



Tii Technologies Inc.

Corporate Headquarters:

141 Rodeo Drive
Edgewood, NY 11717
Phone: 631.789.5000 • Fax: 631.789.5063
Toll Free: 888.844.4720
sales@tiitech.com

Locations:

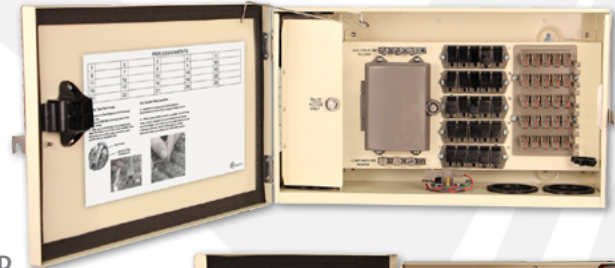
South March
Long March Industrial Estate
Daventry, Northamptonshire, NN11 4PH, UK
Phone: +44 (0) 1327 301853
Fax: +44 (0) 1327 879532
sales@tiitech.co.uk

Av. José de Escandón y Helguera
No. 21 Ciudad Industrial
Matamoros, Tamaulipas, C.P. 87494, México
Phone: 868.812.8011 • Fax: 868.812.8025
salesmx@tiitech.com.mx

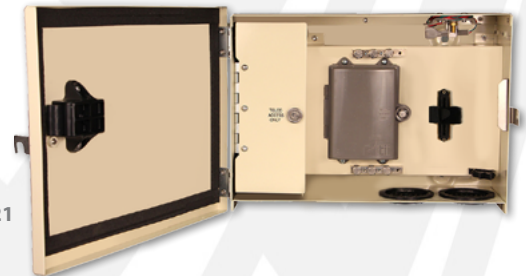
www.tiitech.com



25 Pair IDC



25 Pair IDC/NID



25 Pair RJ21

Tii's OF-Series Fixed Indoor/Outdoor BET and BET/NIDs serve as a network demarcation and distribution point to protect and distribute central office cable pairs at the subscribers' premises.

BET/NIDs utilize the Tii Auto-Jack® to accomplish demarcation point testing. When engaged, the Auto-Jack® connects the RJ11 test plug contacts to the Central Office (CO) for dial tone validation, while disconnecting the customer from the circuit.

A wide variety of splice modules are available for central office cable. The protection field can be populated with solid state or gas tube protectors, and is sealed to protect from moisture and corrosion. The units are available with or without factory installed & tested solid state or gas tube protectors.

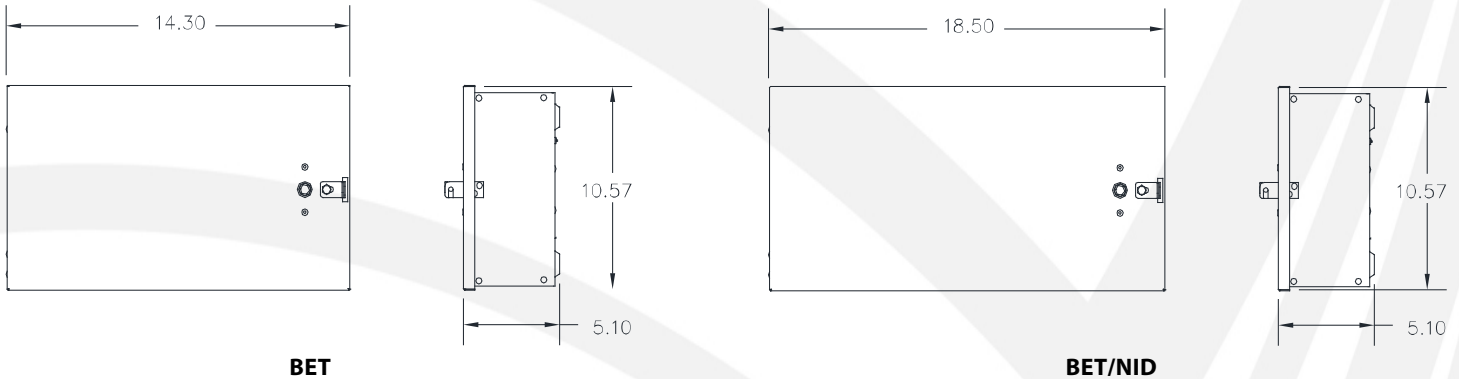
KEY PRODUCT BENEFITS

- ▶ Aluminum construction, powder coated beige
- ▶ BET cover utilizes "slam latch" with 216 tool access
- ▶ Padlockable with Telco override
- ▶ Splice chamber requires 216 tool for access
- ▶ Industry standard 5-pin protector field
- ▶ Available with factory installed solid state or gas tube protectors
- ▶ Stackable for additional capacity using a stacking kit

INDUSTRY STANDARDS

- ▶ IDC Connector - Telcordia TR-NWT-001195
- ▶ BET - Telcordia GR-937/GR-2916
- ▶ NID - Telcordia GR-49/GR-239
- ▶ UL Listed

OF Series BETs



Dimensions are in Inches
(25 pair shown)

	Pair Count	Dimensions (height x width x depth)
BET	25 Pair	10.57" x 14.30" x 6.50"
	50 Pair	19.80 x 14.30" x 6.50"
	100 Pair	33.80 x 14.30" x 6.50"
BET/NID	25 Pair	10.57" x 18.50" x 6.50"
	50 Pair	19.80" x 18.50" x 6.50"
	100 Pair	33.80" x 18.50" x 6.50"

ORDERING INFORMATION

OF	XXX	X	F	XXX	X	XX
Pair Count	Output	Housing	Protection	Input	OEM	
025	N = None	F = Fixed	NOP = No Protectors	G = Stub 25'	Contact Sales	
050	M = Tooless IDC & NID		3B1ES = 300V Solid State Black, no Test Points	H = 4005 GPM (MS2 Gel)		
100	P = Tooless IDC		3B1FS = 240V Solid State Black, no Test Points	K = 4005 DBM (MS2 Dry)		
300*	R = Tooless IDC & RJ21		3B3ES = 300V Solid State Red, no Test Points	P = 710 SC1 (710 Gel)		
	S = RJ21		3B3FS = 240V Solid State Red, no Test Points	T = 710 SD1 (710 Dry)		
	T = Tooless IDC & Cross Connect		3C1ES = 300V Solid State Black, Test Points	N = Raw Cable		
			3C1FS = 240V Solid State Black, Test Points			
			3C3ES = 300V Solid State Red, Test Points			
			3C3FS = 240V Solid State Red, Test Points			
			6B1E = 350V Gas Tube, Black, PTC, no Test Points			
			6C1E = 350V Gas Tube, Black, PTC, no Test Points			
			3B1E = 350V Gas Tube, Black, no Test Points			
			3C1E = 350V Gas Tube, Black, Test Points			

*300 pair unit is comprised of a kit containing three 100 pair units with associated parts required for stacking