

442CSE

ONT Grounding Module for Coaxial Cable Utilizing Two Prong Polarized AC Outlet

Designed for Use with Polarized
Two Prong AC Outlets

Coax F-Type Connections Provide
Grounding to Coaxial Cable Shield

Space Saving Side Entry AC Outlet

LED Light Indicators Detect
Presence of Ground

UL Listed



Tii Network Technologies, Inc.

Corporate Headquarters:

141 Rodeo Drive • Edgewood, NY 11717
Phone: 631.789.5000 • Fax: 631.789.5063
Toll Free: 888.844.4720
sales@tiinetworktechnologies.com

Locations:

Porta Systems, Ltd.

South March • Long March Industrial Estate
Daventry, Northants, NN11 4PH
Phone: +44 (0) 1327 301853
Fax: +44 (0) 1327 879532
sales@portasystems.co.uk

Porta Systems SA. de C.V.

Av. José de Escandón y Helguera
No. 21 Ciudad Industrial
Matamoros, Tamaulipas, C.P. 87494, México
Phone: 868.812.8011 • Fax: 868.812.8025
customerservice@portasystems.com.mx

Tii Fiber Optics

5103 Pegasus Ct., Suite H • Frederick, MD 21704
Phone: 631.789.5000 • Fax: 631.789.5063

Kelta, Inc.

Xincheng Industrial Zone - Hengli Town,
Dongguan City, Guangdong Province, PRC



442CSE

The 442CSE Grounding Module detects the presence of AC power and ground. It also provides an auxiliary AC receptacle and grounding connection through the ground tab. Two F-type female connectors provide the means of grounding the coax cable shield as well as signal integrity. The 442CSE is designed with a side entry AC outlet and grounding for easy access to the unit.

KEY PRODUCT BENEFITS

- ▶ Ideal for applications where equipment is required to be permanently connected to a building's AC ground and where common bonding of the coax cable ground is desired
- ▶ Provides an auxiliary AC receptacle on the side of the unit to reduce wall clearance
- ▶ Designed to provide grounding through the wall AC receptacle's grounding screw via the ground tab on the unit
- ▶ Capable of terminating up to a #6 gauge grounding wire in grounding wire port using a standard slotted screwdriver
- ▶ F-type coax connectors provide in and out connections for the signals on the center conductors of the coax cable while shield is bonded to common ground
- ▶ Ground & Wiring Indicator Circuit:

Ground Present: Green lamp "on" indicates the presence of a ground when plugged into an AC receptacle and grounding tab is in connection with ground through the mounting screw.

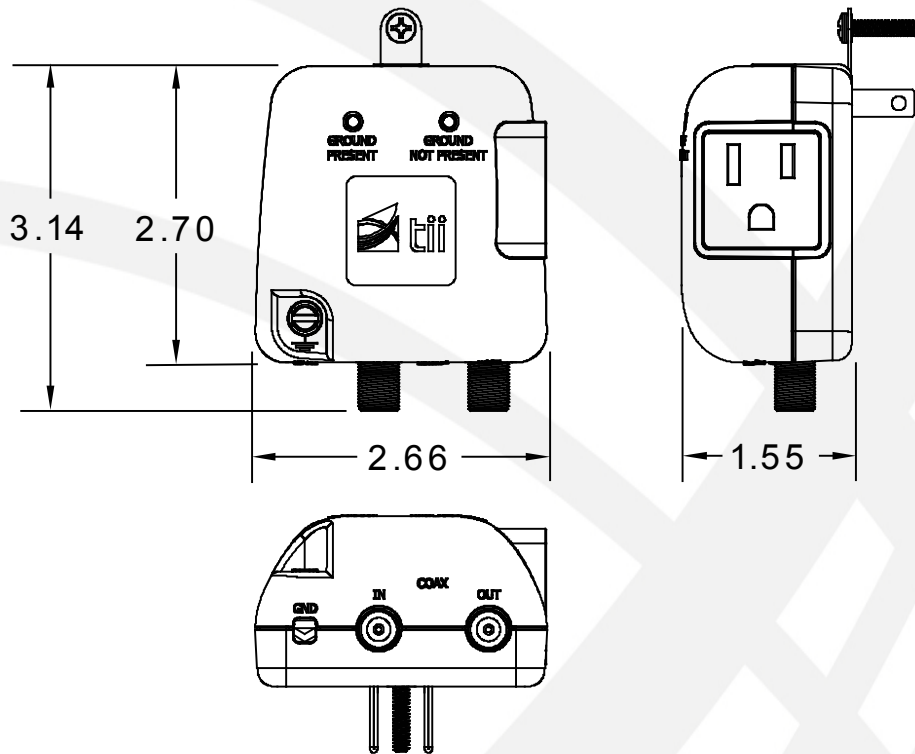
Ground Not Present: Red lamp "on" indicates that a ground is not present or that there may be a problem with the wiring.

Both green and red indicator lamps "on" signify a possible wiring problem.

INDUSTRY STANDARDS

- ▶ UL Listed

442CSE



Dimensions are in inches

ORDERING INFORMATION

Model No.	Description
442CSE	Grounding Module with Coax Connectors and Side Entry AC Outlet
Standard Package:	50 pieces
Weight:	.25 lbs. each