

tii HNP6

Home Networking Protector

One Fully Protected HomePlug® Networking Compatible AC Receptacle

Five Fully Protected EMI Filtered AC Receptacles

Gas Discharge Tube & MOV Hybrid Circuit for AC Protection

Protection Available and Ground Present Status Indicators

High Surge Absorbing Capability

Listed to UL 1449



tii network technologies

141 Rodeo Drive
Edgewood, NY 11717
T. 631.789.5000
Toll Free 888.844.4720
F. 631.789.5063
sales@tiinettech.com

www.tiinettech.com



tii HNP6

The tii HNP6 Home Networking Protector provides AC powerline surge protection while being 100% HomePlug® Network compatible. Traditional surge protectors interfere with data transmitted over AC wiring utilizing HomePlug® technology.

KEY PRODUCT BENEFITS

- ▶ Protects all connected equipment including HomePlug® data networks connected via existing AC wiring.
- ▶ One dedicated and protected HomePlug® compatible AC receptacle – it's as simple as plugging in HomePlug® enabled equipment.
- ▶ Five EMI filtered receptacles prevent unwanted electrical noises from being introduced into the circuit by peripheral devices. These noises have been proven to degrade signal transmission quality and speed.
- ▶ The tii HNP6 circuitry provides 120V AC, Single Phase, 50/60 Hz, 15 Amp Power Line Protection.
- ▶ The AC power protection section is a self restoring power line surge suppressor incorporating gas discharge tube and solid-state surge suppression elements.
- ▶ The surge absorbing capability of tii HNP6 exceeds maximum recommended surge levels by IEEE.
- ▶ All six AC receptacles are spaced to allow for ancillary device transformers.
- ▶ When plugged into an AC receptacle, the AC protection circuit monitors the integrity of the protection in addition to indicating the presence of a ground.
- ▶ Indicator Lamps
 - ▶ Protection Available: Green lamp "on" indicates protection circuit is operational.
 - ▶ Ground Present: Green lamp "on" indicates there is a connection to the AC ground.
 - ▶ Ground Not Present: Red lamp "on" indicates that the unit did not detect the presence of an AC ground. The surge protection capability of the tii HNP6 has been compromised.
- ▶ Common grounding serves as a ground potential equalizer eliminating any ground loop currents that may damage the connected equipment.
- ▶ All protection circuits are grounded by means of the 6 ft. AC cord.

INDUSTRY STANDARDS

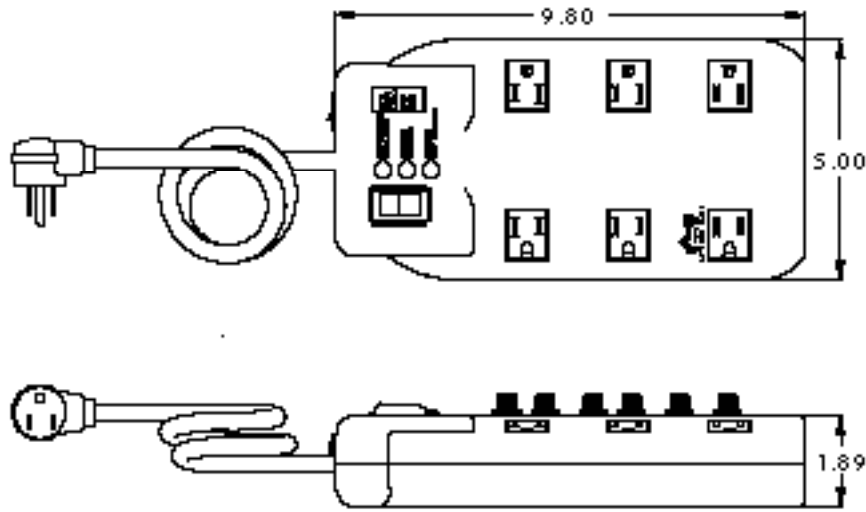
- ▶ Listed to UL 1449.
- ▶ Continuous Joule Rating (CJR): Estimate of cumulative surge energy absorbed by this device over its useful life.

HomePlug® is a
Registered Trademark of



MEMBER

PLEASE REFER TO <http://www.tiinettech.com/> FOR THE LATEST REVISION



Dimensions are in Inches

SPECIFICATIONS

SURGE SUPPRESSOR PERFORMANCE

AC SURGE SUPPRESSION

Insertion Loss (2 – 27 MHz)	< 3 dB
Single HomePlug® Compatible Receptacle (Compatible to Version 2.0-AV)	> 50 dB
Five EMI Filtered Receptacle	> 50 dB
Suppression Voltage - 500A, 8/20 μ s waveform (Line to Neutral)	700V Max.
Steady State Clamping Voltage	300 V
Maximum Surge Current 8/20 μ s waveform	20,000 A
Surge Energy Absorption Continuous Joule Rating (@500A, 8/20 μ s, 1000 operations)	6240 J
LIFE TEST 5,000A, 8/20 μ s waveform	100 Surges
Listed to:	UL 1449

Patent No. 6,775,121 and Patent Pending

ORDERING INFORMATION

Model No.	Description
tii HNP6	tii Home Networking Protector Powerline Protection
Standard Package:	10 pieces
Weight:	1.78 lbs. each