

Tii VIS-2

Voice Intercom Switch with Porting Switch

For Use with Intercom Systems
in MDUs Utilizing Digital Voice
Services

Eliminates the Need for Separate
Intercom Phones

Automatic Switching to Intercom
Incoming Calls

Ringing Voltage on the Intercom
Line Initiates Transition

Switches Back to Digital Voice
Service When Intercom Line Has
Been Dropped

Provides Line Hold Function While
Answering Intercom

Microprocessor Controlled
Switching with Switch State
Memory Feature

No Attenuation to Digital Voice
Service or Intercom Signals

For Indoor Applications Only

Automatic Switching to Digital
Phone Service on the Second
Ringing Voltage Appearance



Tii VIS-2

The Tii VIS-2 Voice Intercom Switch provides number porting and seamless connection of customer premise telephones to either a digital voice service or to door answering systems (DAS)/intercom calls in multiple dwelling units (MDUs).

When the customer telephone line is not in use, a ringing signal on the DAS/intercom line is detected and connected to the premise telephones. Connection to the DAS/intercom is established when the customer telephone is taken off hook. A dropped DAS/intercom call or placing the telephone back on hook terminates the DAS/intercom call, and the VIS-2 automatically restores the digital voice service connection to the premise telephone wiring.

If the customer telephone is in use when the DAS/intercom rings, a double beep (similar to a call waiting tone) is injected on to the digital voice line to alert the user of an incoming DAS/intercom call. The user is then able to tap the flash key on the phone handset to place the original call on hold and pick up the DAS/intercom call. Another tap/flash after completion of the DAS/intercom call will initiate the switch back to the original call that was on hold.

The Tii VIS-2 is initially installed in the intercom state. A blinking red LED indicates that the device is in the intercom state. The switch to digital voice is activated by the second appearance of digital voice ringing voltage. Once the digital voice voltage is detected the Tii VIS-2 will remain in the digital voice mode until the next intercom call is received. A blinking green LED indicates that the device is in the digital voice mode.

KEY PRODUCT BENEFITS

- ▶ Can be located next to the existing intercom connection.
- ▶ Customer is able to attend to intercom calls while using digital voice service.
- ▶ Eliminates the need for separate telephone sets to answer intercom calls.
- ▶ Red/Green LED status indicator lights easily identify mode of operation.



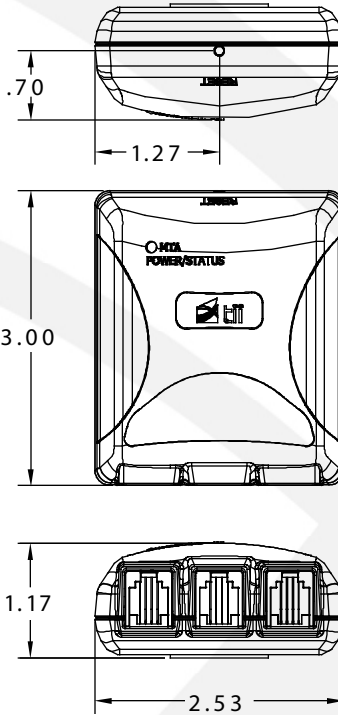
tii network technologies

141 Rodeo Drive
Edgewood, NY 11717
T. 631.789.5000
Toll Free 888.844.4720
F. 631.789.5063
sales@tiinettech.com

www.tiinettech.com

Tii VIS Series

Dimensions are in Inches



SPECIFICATIONS

Operating Voltage Range	40-60 Volts DC
Ringing Voltage	60-90 Volts AC
Operating Current (from VoIP Line)	< 3 mA
Intercom Ring Signal Delay	< 50 ms
Operating Temperature	-40 to 60° C

Patent Pending

ORDERING INFORMATION

Model No.	Description
Tii VIS-2	Voice Intercom Switch, Pin 2 and 3 are Intercom Inputs with Telephone Output on Pin 2 and 3 and Intercom Inputs on Pins 1 and 4 of Intercom Jack
Standard Package:	20 pieces
Weight:	0.1875 lbs. per unit