

## tii SVN

### Switchable Voice NID

For Use When Porting Existing Telephone Numbers

Eliminates Need for Additional Truck Rolls

Automatic Switching to Digital Phone Service

Ringing Voltage on the Digital Phone Service Initiates Transition

Sealed IDC Terminations Ensure Reliable Service

Ideal for Indoor/Outdoor Applications

Switching with Minimal Current Drainage

No Attenuation to Telephone Signals

Provides Secondary Telephone Line Surge Protection, Enhancing Digital Phone Service Reliability



tii SVN-1

The tii Switchable Voice NID (SVN) contains a circuit that provides seamless switching from Telco service to digital phone service. The second ringing voltage appearance on the digital phone service initiates the switch over. The tii SVN utilizes gel-sealed insulation displacement terminations that provide reliable all weather connectivity. Flashing green LED indicates EMTA power is reaching SVN.

#### KEY PRODUCT BENEFITS

- ▶ The tii SVN is suitable for indoor/outdoor applications and can be located next to the existing telephone Network Interface Device.
- ▶ The switching circuitry is contained within a snap-in switchable voice module (SVM) and is available as a standalone device which may be universally mounted.
- ▶ The customer is not without telephone service during number portability process.
- ▶ Eliminates additional truck roll costs by automatically switching service provider connections when ring signals are detected from the MTA.
- ▶ Allows faster revenue capture by immediately switching from the incumbent service provider when a ported number is available.
- ▶ Reset feature allows the SVN to be restored to its initial configuration.
- ▶ Secondary telephone line surge protection is provided to reduce the risk of damage to MTAs, telephones and other connected equipment.
- ▶ Flashing green LED indicates EMTA power.

#### INDUSTRY STANDARDS

- ▶ Listed to UL 1863.
- ▶ FCC Part 68 registered.



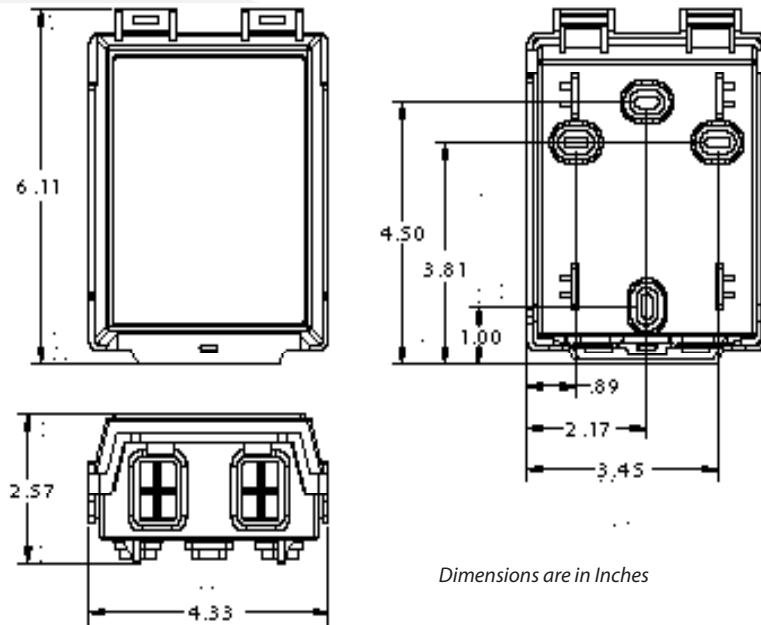
tii network technologies

141 Rodeo Drive  
Edgewood, NY 11717  
T. 631.789.5000  
Toll Free 888.844.4720  
F. 631.789.5063  
sales@tiinettech.com

[www.tiinettech.com](http://www.tiinettech.com)

PLEASE REFER TO <http://www.tiinettech.com/> FOR THE LATEST REVISION

# tii SVN



## SPECIFICATIONS

Operating Voltage Range	40-60 Volts DC
Ringing Voltage	60-90 Volts AC
Turn on Current	12 ma
Operating Current	< 3 ma
IDC Termination Gauge (2 inputs, 1 output)	#26-22
Operating Temperature	- 40 to 60° C
Switch Reset*	Momentary Push Button
<b>SURGE PROTECTION</b>	
Clamping Voltage	270-350 Volts
Surge Life: 100 A (50 A each side) 10/100 $\mu$ s	100 Operation Min.
Surge Life: 10 A (10 A both sides) 10/1000 $\mu$ s	1500 Operation Min.
Input to Output Resistance	8-14 ohms
Over Current Protection Trip Level	150 ma Min.

\*Reset is disabled during ringing - SVN (MTA Rocker) needs to be powered to reset.

Patent Pending

## ORDERING INFORMATION

<b>SVN-1</b>	<b>X</b>
	0 = None 1 = Jumper Kit tii-02097901 Jumper Kit consists of 3' coil of outdoor 2-pair (4 conductor) telco wire; two clips for securing the jumper to the house siding; two 1/4" hex head speed screws.
Standard Package:	20 pieces
Weight:	.70 lbs. each
<b>SVM</b> – See SVM Data Sheet for Specs and Ordering Information	