

## tii ELP

### External POTS Lightning Protector

For Indoor or Outdoor  
Applications

Utilizes tii's Gel Sealed IDC Tool-  
Less Rocker Design

Available in One or Two Line  
Configurations

Interlocking Mating Tabs for  
Mounting Multiple Units

CAT-6 Compliant



tii network technologies

141 Rodeo Drive  
Edgewood, NY 11717  
T. 631.789.5000  
F. 631.789.5063

#### CUSTOMER SERVICE

T. 631.789.5020  
Toll Free 888.844.4720  
customerservice@tiinettech.com



tii ELP-1



tii ELP-2

tii's ELP (External POTS Lightning Protector) is specifically designed to protect Intelligent Network Interface Device (iNID) and home Optical Network Terminal (ONT) telephone line outputs from lightning induced and other surges. The protection circuitry and connections are packaged in an environmentally robust outdoor enclosure with fully encapsulated components. The ELP utilizes heavy duty 3-electrode GDT (Gas Discharge Tube) surge protection against damages caused by transient surges.

The ELP-1 is a one-line protector with a second sealed IDC connection for terminating an additional inside wire.

The ELP-2 is a two-line protector with one sealed IDC connection for each line.

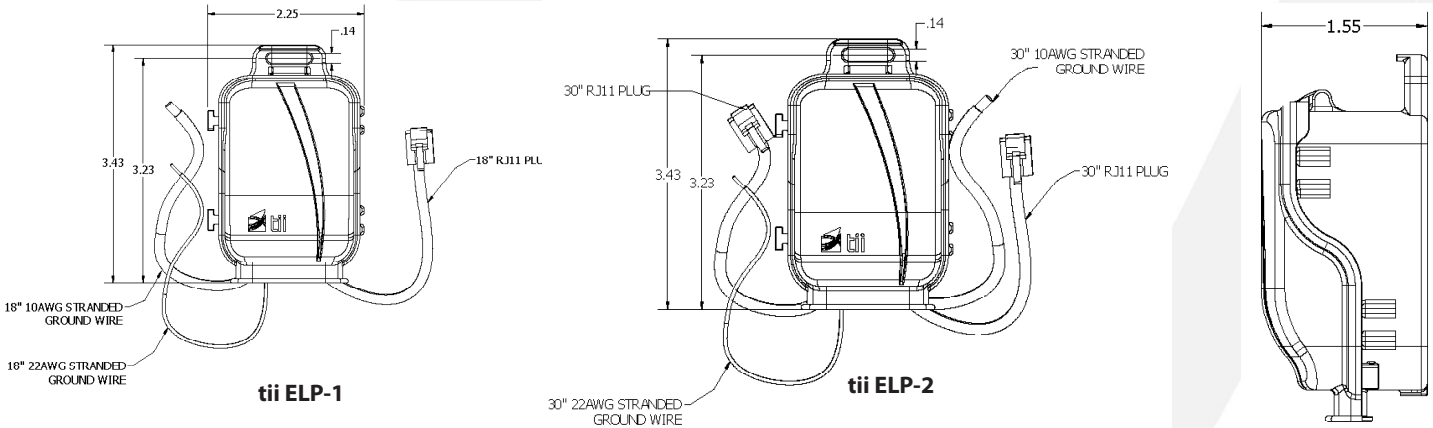
#### KEY PRODUCT BENEFITS

- ▶ Protects iNID/ONT output against transient surges on the POTS line from the customer premises. The positive temperature coefficient resistors (PTCs) isolate iNID/ONT circuitry to ensure long iNID/ONT service life.
- ▶ Compact modular design allows protection for multiple POTS lines in a small space. The low profile clamshell design allows complete access to all components for easy installation and servicing.
- ▶ Provides gel-filled insulation displacement connectors and sealed RJ-11 Jack for customer premises wire connections.
- ▶ 10 AWG solid copper ground wire is provided for low resistance connection to the iNID/ONT. 22 AWG wire provides bonding between the ELP ground and the fiber drop cable.
- ▶ Features unique mating tabs on the side face of the unit to quickly and easily connect two or more enclosures together without the need for extra fasteners.
- ▶ Integrated grounding lug accommodates 10 AWG ground wire, which allows multiple enclosures to be connected and properly grounded in series.
- ▶ Offers multiple mounting options using velcro, double-sided tape or screws via mounting tab.
- ▶ Provision for tie-wrap to secure cover of unit which enables strain relief via entry port.

#### INDUSTRY STANDARDS

- ▶ Listed to UL 497B as a protector for data communications and fire alarm circuits.
- ▶ Enclosure meets the requirements of GR-49-CORE.
- ▶ Meets applicable requirements of Telcordia GR-63-CORE, GR-1361-CORE and GR-1089-CORE.

# tii ELP



Dimensions are in Inches

## SPECIFICATIONS

DC Breakdown @ 2000 v/Sec	265-450 volts
Impulse Breakdown @ 100 v/ $\mu$ s	
Customer Side	<700 volts
ONT Side	<400 volts
Impulse Life	
10Amp, 10/1000 $\mu$ s waveform	>1500 Surges
100 Amp, 10/1000 $\mu$ s waveform	> 100 Surges
300 Amp, 10/1000 $\mu$ s waveform	> 50 Surges
AC Discharge Current	
1 Amp, 1 Sec	>60 Operations
Lightning Surge	
6kV, 3kA, 8/20 $\mu$ s	50 operations
Series Resistance each Tip to Tip and Ring to Ring	8-14 Ohms
Operating Temperature	-40 to 65 C
Contacts Continuous Current Rating	> 3 Amps
IDC Termination Wire Size	#26-22 Gauge (solid)

## ORDERING INFORMATION

Model No.	Description	Weight
tii ELP-1	One Line External POTS Lightning Protector	0.375 lbs. each
tii ELP-2	Two Line External POTS Lightning Protector	0.562 lbs. each
Standard Package:	50 Pieces	