

tii Micro Angle Driver® AD-01W-LP

DSL Compliant Sealed Surge Arrester

DSL-Compliant For Elevated DC
Biasing Up To 150 Volts

Three-Electrode Gas Discharge
Tube Protection

Delivers Superior Performance

Gel-Sealed IDC Terminations

Highly Visible Wire Terminations

Fully Encapsulated Assembly

Listed to UL 497



tii AD-01W-LP

tii's micro Angle Driver® is specifically designed to protect tomorrow's high-speed digital networks, such as ADSL2+/VDSL2 technology against damage caused by electrical surges.

KEY PRODUCT BENEFITS

- ▶ Ideally suited for capacitance sensitive broadband access.
- ▶ The tii micro Angle Driver® consists of a three-electrode gas tube surge arrester, failshort device and Gel-Sealed IDC (Insulation Displacement Connection) type connectors for terminating all wires in one completely self-contained unit.
- ▶ IDC connections require no stripping of the wire insulation for terminating.
- ▶ Module has two ports for small-gauge (22-26 AWG) wire terminations and two ports designed to accept large-gauge (18-19 AWG) wire for tip/ring connections, all of which are environmentally sealed.
- ▶ May be employed in a variety of single and multiple pair network interface and station protector housings.
- ▶ Can be used to retrofit/service upgrades of existing assemblies already installed in the field.
- ▶ Unit is supplied with a unique, universal ground tab which may be snapped off to allow for multiple mounting arrangements.

INDUSTRY STANDARDS

- ▶ The tii micro Angle Driver® meets the requirements of Telcordia GR-1361-CORE.
- ▶ The tii micro Angle Driver® complies with the 'no back-up device' section of Telcordia GR-1361 CORE and meets the temperature aging and cycling performed at a modified (increased severity) 150Vdc bias.
- ▶ Due to its low capacitance, the tii micro Angle Driver® exceeds the transmission requirements of Telcordia GR-974-CORE for high-speed digital networks; making it an idea protector for Digital Subscriber Line (DSL) applications.
- ▶ The tii micro Angle Driver® meets the conditional requirements of Section 5, "Environmental Requirements, Severe Climatic Conditions" and Section 6.2 "Environmental, Severe Climatic and Flooded Conditions" of Telcordia GR-049-CORE
- ▶ Meets Sealing Requirements of Telcordia TR-NWT-000975.
- ▶ Meets Generic Requirements For IDC Cross-Connect & Terminal Blocks of Telcordia TR-NWT-001195.
- ▶ Listed to UL 497



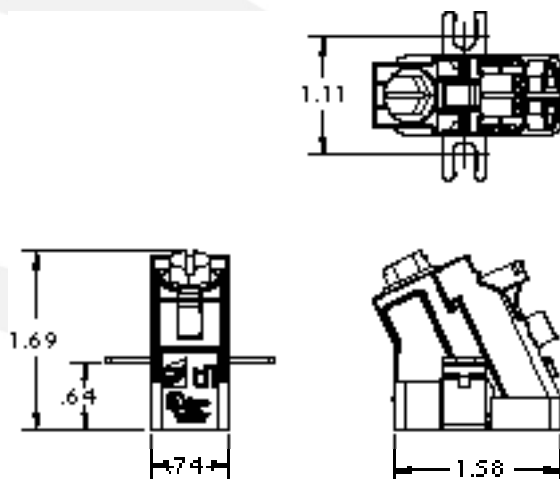
tii network technologies

141 Rodeo Drive
Edgewood, NY 11717
T. 631. 789.5000
Toll Free 888.844.4720
F. 631. 789.5063
sales@tiinettech.com

www.tiinettech.com

PLEASE REFER TO <http://www.tiinettech.com/> FOR THE LATEST REVISION

tii AD-01W-LP



Dimensions are in Inches

SPECIFICATIONS

DC Breakdown Voltage (L-G) @ 2000 V/sec	265-600Vdc
Impulse Reset: 135Vdc @200mA	<150 mS
Maximum Single Impulse Discharge Current, 8/20 waveform:	20kA 10kA/Side Simultaneously
Impulse Life:	
10Amp, 10/1000µsec waveform:	1500 Surges Minimum
100Amp, 10/1000µsec waveform:	100 Surges Minimum
300Amp, 10/1000µsec waveform:	50 Surges Minimum
AC Discharge Current	
10Amp, 1 Second:	20 Operations Minimum
1Amp, 1 Second:	60 Operations Minimum
Capacitance (L-G)	10 pF Typical
Aging, Temperature/Humidity Cycling with Surge	150 Volts DC Bias
Insertion Loss 0.5 – 10MHz	0.000 dB to 0.001 dB
Return Loss 0.5 – 10MHz	-52 dB to - 30 dB
Impulse Breakdown voltage (L-G) @ 100V/µsec. 500V Typical, @1KV/µsec.	750V Maximum 750V Typical
Insulation Resistance @50Vdc, 10MA:	100 Megohms Minimum

ORDERING INFORMATION

Model No.	Description
tii AD-01W-LP	Gel-Sealed micro Angle Driver® Surge Arrester with Snap-Off Ground Tabs Both Sides
Standard Package:	150 pieces
Weight:	0.125 lbs each