

tii HNX-ET

HomePlug® Turbo Ethernet Bridge

Extends Home Networks Without
Having to Install New Wires

Plug-and-Play Installation

Network up to 16 Computers

Data at Every AC Receptacle

Easy to Relocate

Enables Broadband throughout
the House

Compatible with Mac, Linux, Unix
and Microsoft Operating Systems

Up to 85 Mbps

Range: Approx. 300 Meters in Wall
Power Lines



tii HNX-ET

The tii HNX-ET HomePlug® Turbo Ethernet Bridge complies with the HomePlug® Powerline Specification 1.0 standard. It will provide up to 85 Mbps data rate over home AC wiring. The HNX-ET allows multiple home computers, set top boxes, and gaming consoles to be networked to share Internet connections, printers, files, applications, and games without any new wiring

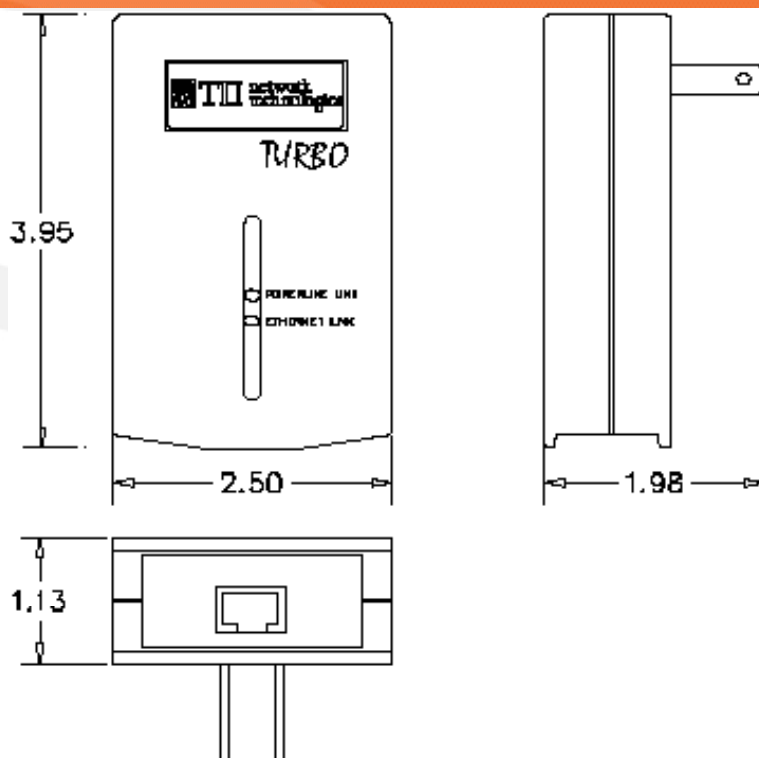
KEY PRODUCT BENEFITS

- ▶ Up to 85 Mbps data rate over existing standard home AC power lines.
- ▶ Estimated range of 300 meters in wall power lines.
- ▶ The HomePlug® signal can pass through circuit breaker.
- ▶ 56-bit DES encryption assure data security.
- ▶ Encryption done in hardware, no reduction in bandwidth.
- ▶ Uses IEEE802.3 computer interface.
- ▶ Plug-and-Play installation.
- ▶ HomePlug® Powerline Specification 1.0 compliant.
- ▶ LED Indicators: Ethernet Activity, Powerline Activity.



141 Rodeo Drive
Edgewood, NY 11717
T. 631.789.5000
Toll Free 888.844.4720
F. 631.789.5063
sales@tiinettech.com

tii HNX-ET



Dimensions are in Inches

SPECIFICATIONS

Computer Interface	IEEE802.3
Network Interface	HomePlug® Powerline
Cabling	10/100Base-T Cat. 5 UTP
Installation	Plug-and-Play
LED Indicators	Powerline Activity, Ethernet Activity
Certifications	FCC Class B / CE Mark
Power Supply	Draws Power from the AC
Operating Temperature	0°C – 40°C
Humidity	5% - 90%
Housing	Plastic
HomePlug® Configuration Utility Support	Microsoft Windows 98 SE, ME, 2000, XP, and Vista

ORDERING INFORMATION

Model No.	Description
tii HNX-ET	HomePlug® Turbo Ethernet Adapter
Standard Package:	20 pieces
Weight:	1 lb. 1 oz. each
Package Includes: HNX-ET, CAT/RJ45 Ethernet Cable, User Manual, Installation CD	