

## MST

### Mini Splice Terminal

Breathable Closure  
Eliminates Moisture  
Accumulation

Modular IDC Configuration

Gel-Sealed Tool-less  
Rocker IDC Terminations –  
Easiest Connection in the  
Marketplace

Ample Wire  
Management Room

Expandable to 10 Pair  
Dual Termination Ports

Meets Telcordia  
TR-NWT-001195 &  
TR-NWT-00975



**Tii Technologies Inc.**

**Corporate Headquarters:**

141 Rodeo Drive  
Edgewood, NY 11717

Phone: 631.789.5000

Fax: 631.789.5063

Toll Free: 888.844.4720

sales@tiitech.com



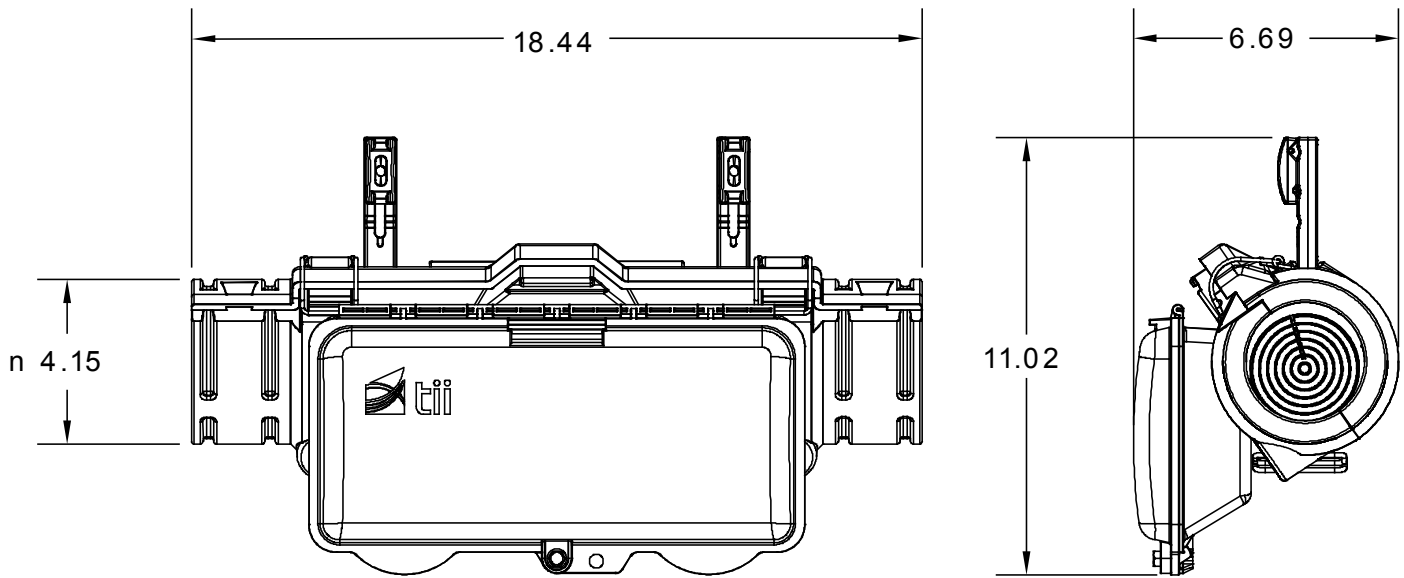
### KEY PRODUCT BENEFITS

#### Terminal

- ▶ High density polyethylene protects splices from UV degradation and harsh environments
- ▶ Innovative design permits access to splicing without the removal of the closure or the cable bonding
- ▶ Accommodates straight, butt, and branch splices to non-pressurized communication cables of up to 3.5" ( bundle size)
- ▶ Screened vents provide ventilation and water drainage
- ▶ Replaceable rubber end seals
- ▶ Convenient ground connection point for shielded or drain wire equipped cables
- ▶ Ample space in terminal for wire management
- ▶ Terminal compartment accommodates up to two ADX-5T Sealed Terminal Blocks. Each block is capable of terminating five conductor pairs

#### ADX-5T Gel-Sealed IDC Terminal Blocks

- ▶ No stripping of wire required prior to termination
- ▶ Gel-Sealed IDC terminations reduce installation time and increase reliability
- ▶ Tool-less rockers speed wire termination. No special tooling required. Guaranteed connection every time
- ▶ Upper wire ports accept 22-24 AWG terminations via tool-less rocker technology. Lower wire ports accept 18.5 and 24 AWG
- ▶ Transparent driver enables verification that conductor pairs are fully inserted prior to termination
- ▶ Angled entry ports for easy access termination
- ▶ Integral sealed test points are easily accessible and hold standard issued test clips securely
- ▶ Meets generic requirement for IDC cross-connect and terminal block of Telcordia TR-NWT-001195 and TR-NWT-000975

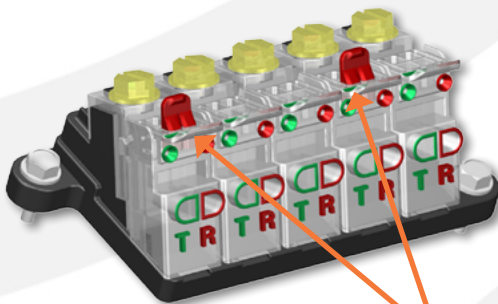


Dimensions are in Inches

## ORDERING INFORMATION

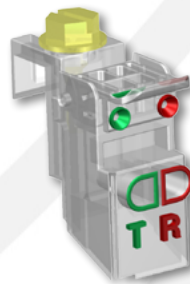
Model No.	Description
<b>MST-01</b>	Terminal Housing with Closure Equipped with One ADX-5T Five Pair Sealed Terminal Blocks, Rubber Grommets
<b>MST-02</b>	Terminal Housing with Closure Equipped with Two ADX-5T Five Pair Sealed Terminal Blocks, Rubber Grommets
<b>ADX-5T</b>	Five Pair Gel-Sealed Terminal Block
<b>00193501</b>	Special Service RED Marker Tag for ADX-5T
<b>00193601</b>	Replacement Gel-Filled Drivers

## ACCESSORIES



ADX-5T  
IDC Terminal Block

00193501  
Special Service  
Red Marker Tag



00193601  
Gel-Filled Driver