

MP1U3B

Rackmount Master Plate

Central Office

Data Center

Telecom Closets

Remote Distribution
Terminals



The MP1U3B is a 1 RU 19 inch rackmount master plate with 3 LGX module/cassette capacity. Available with and without backbone cable slack storage support.

KEY PRODUCT BENEFITS

- ▶ 1RU 19" rack mountable
- ▶ 3 LGX adapter plates or MTP module capacity

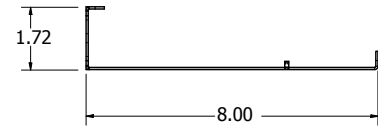
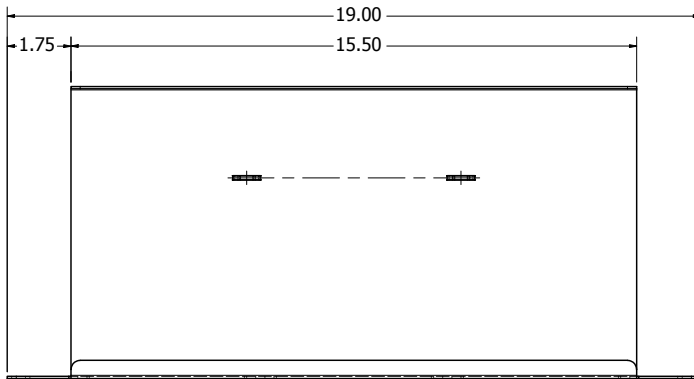
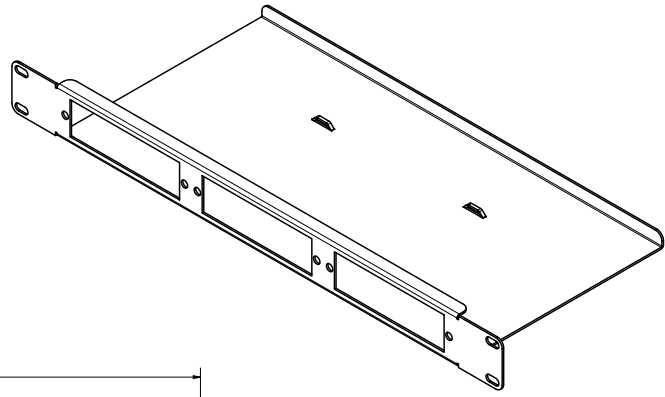


Tii Technologies Inc.

Corporate Headquarters:

141 Rodeo Drive
Edgewood, NY 11717
Phone: 631.789.5000
Fax: 631.789.5063
Toll Free: 888.844.4720
sales@tiitech.com

MP1U3B



Dimensions are in Inches

SPECIFICATIONS

	MP1U3B	MP1U3BSS
Module Capacity	3	3
Protrusion	0"	0"
Dimensions	1.75" x 19.0" x 0.5"	1.75" x 19.0" x 8.0"
Packaging	5.0" x 21.0" x 11.0"	5.0" x 21.0" x 11.0"
Weight	2 lbs.	4.5 lbs.
Material	CRS, Black powder coat	

ORDERING INFORMATION

Model #	Description
MP1U3B	1RU Master Plate 3 LGX Module Capacity
MP1U3BSS	1RU Master Plate 3 LGX Module Capacity with Slack Storage Support
MFM-xxxxxxx	MTP cassette (See MFM Series datasheet)
FSM-xxxxxxx	Fiber coupler/splitter module (See FSM Series datasheet)