

MFST

16 Port Fiber Aerial Terminal

Breathable Closure
Eliminates Moisture
Accumulation

Separate Distribution and
Customer Drop Chambers

Fiber Connections Easily
Accessible for Cleaning

Craft-friendly Design

Stubbed or Fusion
Splice Versions



The MFST Fiber Aerial Terminal Closure is an aerial, strand-mount, free-breathing fiber terminal for fiber to the premises (FTTP) applications. This Fiber Aerial Terminal Closure supports distribution splicing in the main body of the tube, and customer drop fiber terminations in a separate side chamber. Customer drops are supported with SC/APC connections.

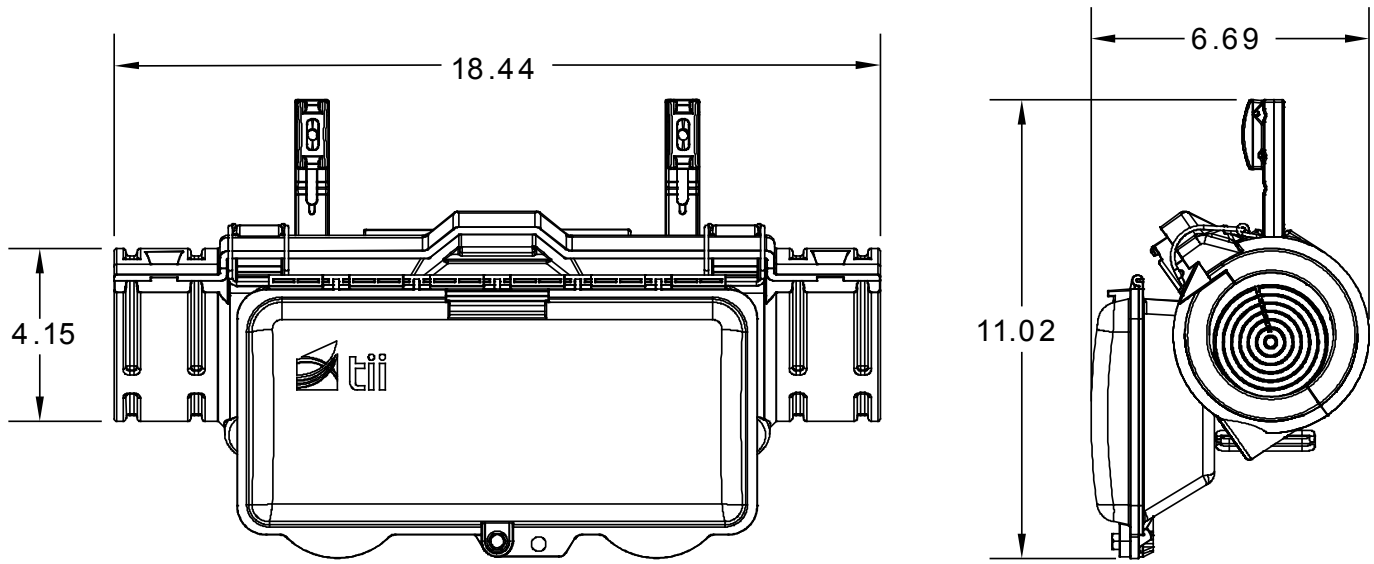
KEY PRODUCT BENEFITS

- ▶ High density polyethylene protects fiber connections from UV and harsh environments
- ▶ Supports up to 16 fiber connections and splice
- ▶ Sixteen exit ports for customer drops exiting Terminal Box chamber
- ▶ Distribution splice chamber separate from Terminal Box, supporting two different craft skill levels
- ▶ Terminal Box has locking feature for added security
- ▶ Innovative design permits access to distribution splicing without closure removal
- ▶ Screened vents provide ventilation and water drainage
- ▶ Replaceable rubber end seals
- ▶ Convenient ground connection point for distribution cable
- ▶ Ample space in terminal for fiber management
- ▶ Designed to GR-771, Generic Requirements for Fiber Optic Splice Closures



Tii Technologies Inc.

Corporate Headquarters:
141 Rodeo Drive
Edgewood, NY 11717
Phone: 631.789.5000
Fax: 631.789.5063
Toll Free: 888.844.4720
sales@tiitech.com



Dimensions are in Inches

MODEL NUMBER MATRIX

MFST	X	XX	X	X	X	X
	Fiber Ports	Adapter	Pigtail & Splice Trays	Splitter	Splitter Qty.	Optional
	2 = 2	NA = None	N = None	0 = None	0 = None	T = Dual Splice Trays
	4 = 4	LC - LC	5 = 250um	A = 1 x 8	1 = 1	A = ADSS Bracket
	6 = 6	SC - SC	9 = 900um	B = 1 x 16	2 = 2	TA = Dual Trays and ADSS Bracket
	8 = 8	SA - SC APC				
	B = 12					
	C = 16					