

## MFM Series

### *MTP Modules/ Cassettes*

Central Office

Data Center

Enterprise

FTTP



MFM Series are high density MTP modules designed for reliable and rapid installation in data centers, storage area networks and local area networks. Preterminated 72 Fiber MTP trunk cables can now be terminated in as little as 1RU. The combination of factory terminated MTP trunk cables and MTP modules provide the highest density and will reduce installation labor costs up to 75%.

#### KEY PRODUCT BENEFITS

- ▶ Fits wall or rackmount LGX-style enclosures
- ▶ MPO and MTP compatible
- ▶ Singlemode, Multimode 62.5, Multimode 50
- ▶ 100% visual and optical performance tested
- ▶ Serialized test reports provided
- ▶ Powder coat black
- ▶ Standard key up/key down MTP configuration



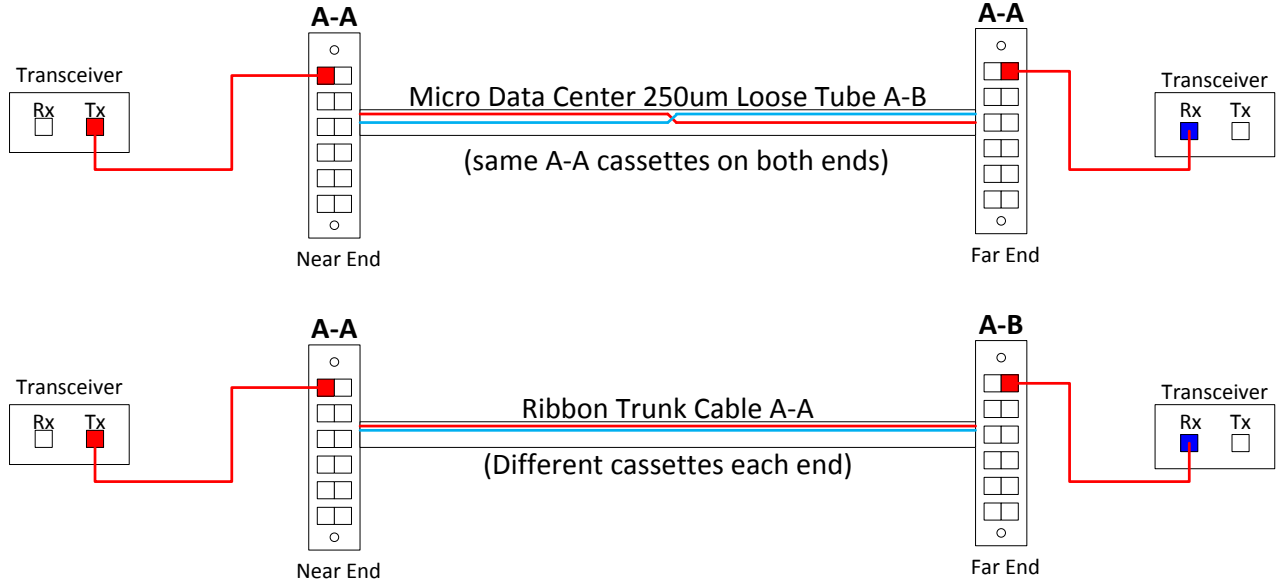
**Tii Technologies Inc.**

**Corporate Headquarters:**

141 Rodeo Drive  
Edgewood, NY 11717  
Phone: 631.789.5000  
Fax: 631.789.5063  
Toll Free: 888.844.4720  
sales@tiitech.com

# MFM Series

In order to assist with Tx-Rx polarity issues based on the MPO/MTP Array design the MTP cassettes are available with two polarization options depending on the MTP trunks connected to them. We recommend the following based on the type of trunk cable used for most installations using TIA Polarization Method C:



## SPECIFICATIONS

<b>Insertion Loss</b>	Multimode <= 0.5 dB, Singlemode <= -0.75dB
<b>Back Reflection</b>	Multimode <= -25 dB, Singlemode <= -55dB

## ORDERING INFORMATION

MFM	-X	XX	XX	B	X
	FIBER TYPE	# OF FIBERS	ADAPTER		POLARITY
	R = Singlemode	12	LC - LC		A = A to A
	K = MM62.5 OM1	24 (LC)	SA - SC APC		B = A to B
	C = MM50 OM2		SC - SC		
	S = MM50 OM3/4		ST - ST		

## ACCESSORIES

Model #	Description
<b>LG1-CCH</b>	Adapter Plate LG118 TO Corning CCH Panel