

IF006PFNOPM

Six-Pair Protector Block

Utilizes Industry Standard
5-Pin Protector Modules

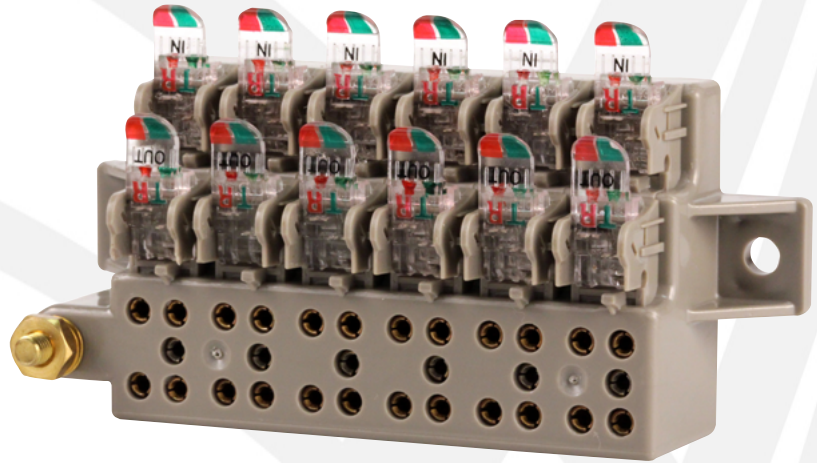
Gel-Sealed, Tool-less
IDC Terminations

Factory Loaded Gas Tube
or Solid State Modules

Compact, Low-Profile Design

Terminates 26-22 AWG
Solid Wires

Tested to Telcordia GR-78, GR-974



IF006PFNOPM



Tii Technologies Inc.

Corporate Headquarters:

141 Rodeo Drive
Edgewood, NY 11717
Phone: 631.789.5000 • Fax: 631.789.5063
Toll Free: 888.844.4720
sales@tiitech.com

Locations:

South March
Long March Industrial Estate
Daventry, Northamptonshire, NN11 4PH, UK
Phone: +44 (0) 1327 301853
Fax: +44 (0) 1327 879532
sales@tiitech.co.uk

Av. José de Escandón y Helguera
No. 21 Ciudad Industrial
Matamoros, Tamaulipas, C.P. 87494, México
Phone: 868.812.8011 • Fax: 868.812.8025
salesmx@tiitech.com.mx

The IF006PFNOPM is a six pair indoor protector unit with tool-less IDC inputs and outputs. The unit allows for up to six 5-pin protector modules which when installed will protect sensitive circuitry by responding to surges and overvoltage surges. This unit can be used for OSP applications and xDSL services.

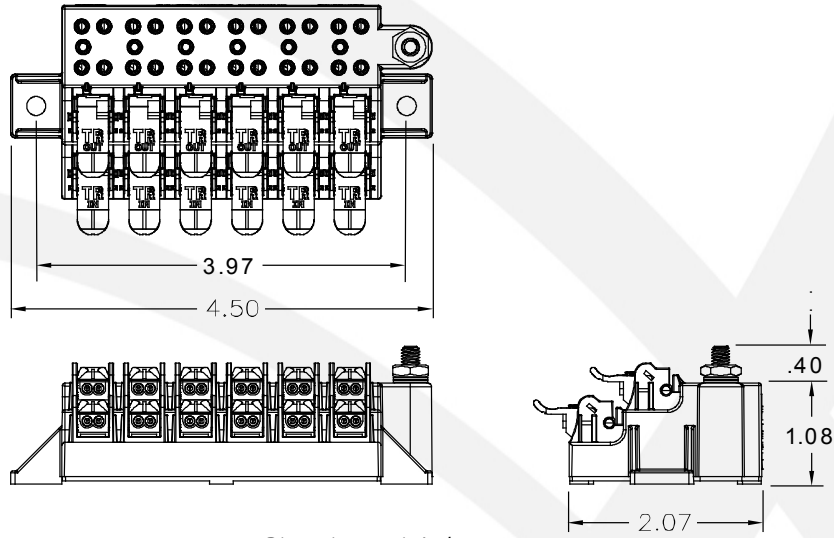
KEY PRODUCT BENEFITS

- ▶ Terminations are made to gel-sealed insulation displacement contacts (IDC) by means of convenient tool-less rocker assemblies. Wire stripping is not required.
- ▶ Compact, low profile design fits into applications where space is limited.
- ▶ Gel-sealed terminations make the Tii IF006PFNOPM ideal for harsh environments.
- ▶ Utilizes industry standard 5-pin protector modules

INDUSTRY STANDARDS

- ▶ Telcordia GR-78, GR-974

IF006PFNOPM



Dimensions are in Inches

ORDERING INFORMATION

Model No.	Description
IF006PFNOPM	Indoor Fixed 6-Pair Block with Tool-less IDC input and output; No Protectors
IF006PF3B1ESM	Indoor Fixed 6-Pair Block with Tool-less IDC input and output; 6 300V SS, Black
IF006PF3B1FSM	Indoor Fixed 6-Pair Block with Tool-less IDC input and output; 6 240V SS, Black
IF006PF3B3ESM	Indoor Fixed 6-Pair Block with Tool-less IDC input and output; 6 300V SS, Red
IF006PF3B3FSM	Indoor Fixed 6-Pair Block with Tool-less IDC input and output; 6 240V SS, Red
IF006PF3C1ESM	Indoor Fixed 6-Pair Block with Tool-less IDC input and output; 6 300V SS, Black with Test Points
IF006PF3C1FSM	Indoor Fixed 6-Pair Block with Tool-less IDC input and output; 6 240V SS, Black with Test Points
IF006PF3C3ESM	Indoor Fixed 6-Pair Block with Tool-less IDC input and output; 6 300V SS, Red with Test Points
IF006PF3C3FSM	Indoor Fixed 6-Pair Block with Tool-less IDC input and output; 6 240V SS, Red with Test Points
IF006PF3B1EWM	Indoor Fixed 6-Pair Block with Tool-less IDC input and output; 6 350V GDT, Black
IF006PF3B3EWM	Indoor Fixed 6-Pair Block with Tool-less IDC input and output; 6 350V GDT, Red
IF006PF3C1EWM	Indoor Fixed 6-Pair Block with Tool-less IDC input and output; 6 350V GDT, Black with Test Points
IF006PF3C3EWM	Indoor Fixed 6-Pair Block with Tool-less IDC input and output; 6 350V GDT, Red with Test Points
IF006PF3B1EWSM	Indoor Fixed 6-Pair Block with Tool-less IDC input and output; 6 350V GDT, Black Short Body