

FSD Series

Fiber Optic Splice Dome Enclosure

IPX8 Rated - Completely
Sealed and Pressurizable

Sealed with Roxtec
Multidiameter™ Seals

Cold Sealing Technology
Robust Enclosure Design
Available in 2 Sizes

Telcordia Compliant



Tii's Fiber Optic Splice Enclosure (FSD) is a butt end splice closure equipped with Roxtec™ cable sealing technologies. This enclosure is constructed of superior materials to withstand harsh outdoor environments, such as UV degradation, chemical exposure and cold temperatures to ensure continuous operation of high speed fiber networks. The seals in the ports of the lid prevent gas, water or humidity from entering the enclosure.

The FSD's cable seals utilize Roxtec™ industry proven Multidiameter™ removable rubber layer seals, which provide adaptability to cables of different sizes as well as optional spare capacity for upgrades. The enclosure not only provides certified protection, it is designed to simplify fiber management, while ensuring quick and easy installation.

The FSD enclosure provides superior storage capacity. The six individual cable ports of the splice box provide a platform for single and/or multiple fiber drops. Certain ports are connected to enable mid-span connectivity. The smaller enclosure houses four splice trays for up to 96 individual or 576 ribbon fusion splices. The larger enclosure houses eight splice trays for up to 192 individual or 1,152 ribbon fusion splices.

KEY PRODUCT BENEFITS

- ▶ Constructed of a robust polypropylene material to withstand harsh environmental conditions
- ▶ Available in two sizes
- ▶ Splice trays are hinged for easy access to splices
- ▶ Can be used in aerial, pedestal, or below grade environments
- ▶ Suitable for aerial installation using Deltec® cable straps or metal cable ties
- ▶ Utilizes Roxtec mechanical seal technology to accommodate a variety of cable sizes
- ▶ Superior storage capacity allows for up to 192 individual fiber cables

INDUSTRY STANDARDS

- ▶ Telcordia Compliant



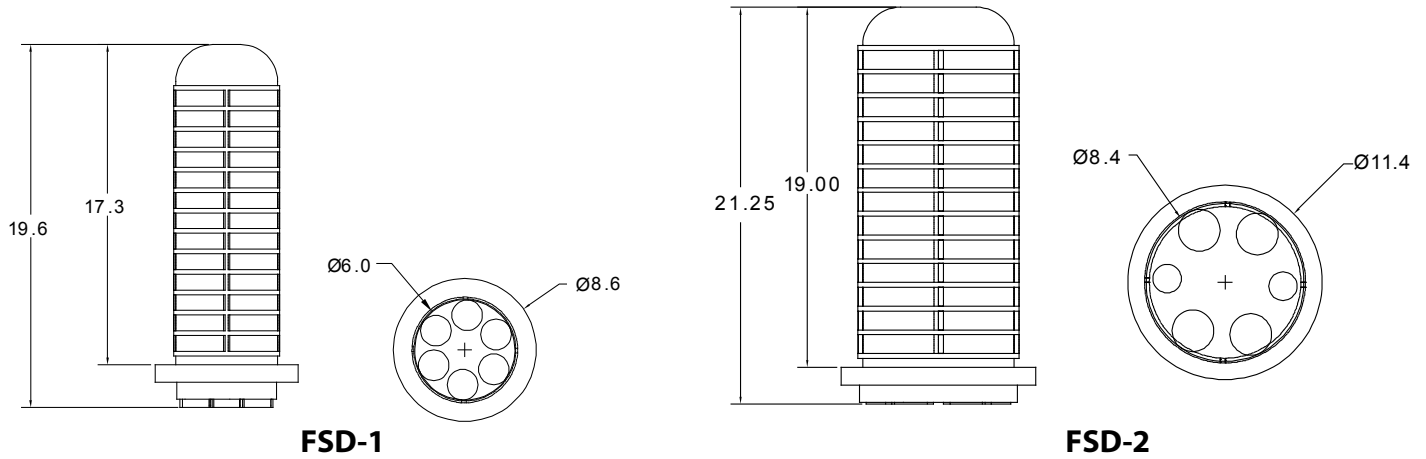
Tii Technologies Inc.

Corporate Headquarters:

141 Rodeo Drive
Edgewood, NY 11717
Phone: 631.789.5000
Fax: 631.789.5063
Toll Free: 888.844.4720
sales@tiitech.com

www.tiitech.com

FSD Series



Dimensions are in Inches

Model No.	Cable Ports & Cable Sizes	# Splice Trays	Splice Capacity	Grommets - Small 8-18 mm – RSL-31	Grommets - Large 8-30mm – RSL-50
FSD-1	6x - 8 to 18mm	4	96 single 576 ribbon	0-6	0
FSD-2	2x - 8 to 18mm 4x - 8 to 30mm	8	192 single 1,152 ribbon	0-2	0-4

ORDERING INFORMATION

Model No.	Description
FSD-1120N	FSD Series 1 with 1 Splice Tray 2 Small Grommets
FSD-2102N	FSD Series 2 with 1 Splice Tray 2 Large Grommets
FSD-TU	Splice Tray 24 Single/144 Mass Fusion
FSD-G18	Cable Entry Grommet RSL-31 Small 8-18mm
FSD-G30	Cable Entry Grommet RSL-50 Large 8-30mm

CUSTOM LOADING OPTIONS

FSD	-X	X	X	X	X
	Size	Trays	Grommet, 8-18mm	Grommet, 8-30mm	Accessory
	1	0 - 4	0 - 6	0	N = None
	2	0 - 8	0 - 2	0 - 4	