

FET2

Fiber Entrance Terminal

Patch or Patch & Splice Options

Rugged Plastic Housing with
Separate Entry Points for OSP
Fiber and Customer Fiber

Easy Installation

Compact, Craft-Friendly Design

Meets GR-771 Requirements



The FET2 is a compact unit which features connectivity between the OSP fiber drop and customer fiber drop and slack storage. The unit is configurable for up to 12 fiber terminations.

KEY PRODUCT BENEFITS

- ▶ Indoor/outdoor for wall and pole mounting
- ▶ Provides demarcation point between outdoor fiber drop and customer premise fiber
- ▶ Constructed of superior materials capable of withstanding harsh outdoor environments, including UV degradation, chemical exposure, and extreme temperatures
- ▶ Up to 12 fiber ports for OSP to customer fiber transitions
- ▶ Integrated and removable splice tray assembly
- ▶ Entry grommets accept up to 1 inch conduit with provision for tie wrap retention
- ▶ 2X internal tie down features for proper strain relief of fiber cables
- ▶ Hinged cover fits securely on the base to provide maximum protection against environmental conditions and intrusion of foreign matter, protecting sensitive fiber connectivity
- ▶ Cover closes securely with 3/8" hex head bolt and has a provision for a tie-wrap

INDUSTRY STANDARDS

- ▶ Meets GR-771 Requirements



Tii Technologies Inc.

Corporate Headquarters:

141 Rodeo Drive
Edgewood, NY 11717

Phone: 631.789.5000

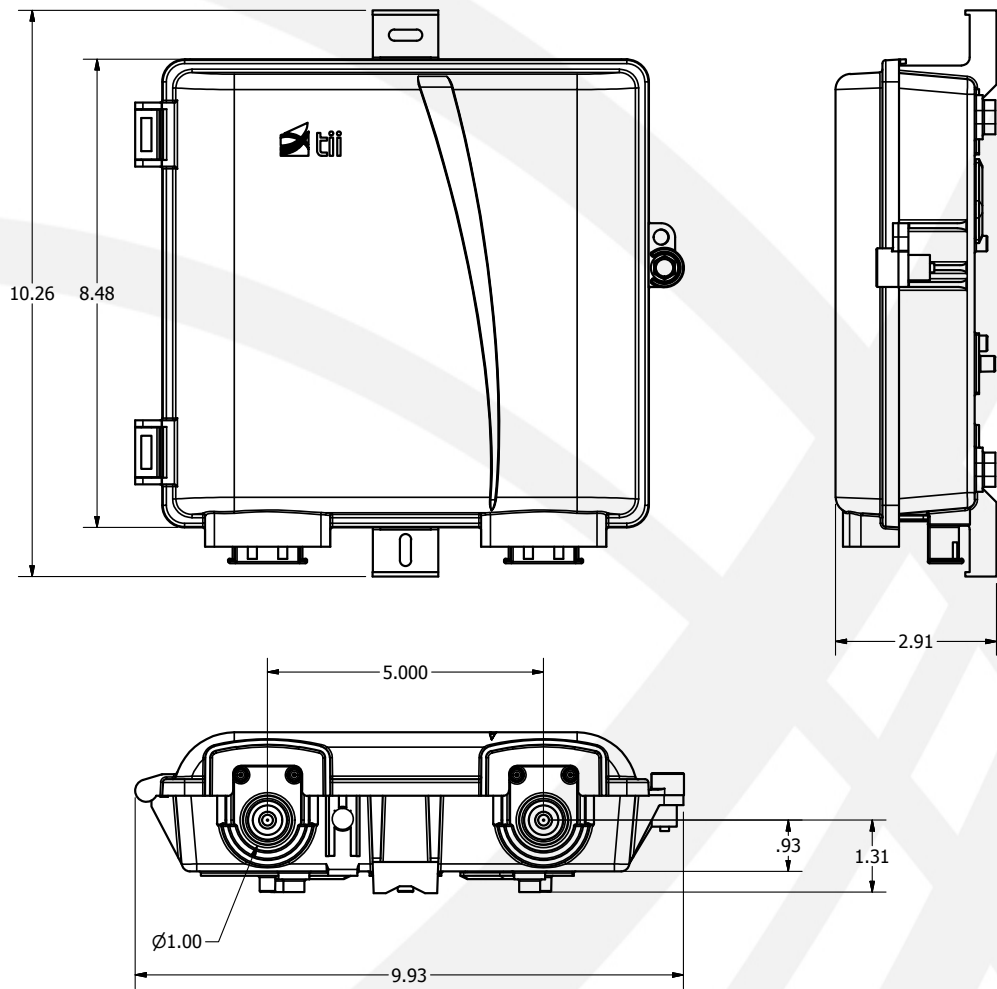
Fax: 631.789.5063

Toll Free: 888.844.4720

sales@tiitech.com

www.tiitech.com

FET2



Dimensions are in Inches

Model No.	Description
FET2G	Fiber Entry Terminal, Empty, 1 LGX Adapter Plate Capacity

ORDERING INFORMATION

FET2G-	XX	X	XX	XX
	Fiber Ports	Fiber Type	Adapters	Pigtails
	01 - 12	R = Singlemode K = MM62.5 OM1 S = MM50 OM3	LC = LC SC = SC SA = SC APC	N = Patch Only 5 = 250um Pigtails 9 = 900um Pigtails R = 12 Fiber Ribbon Pigtail