

## FDT Series

### Outdoor Fiber Distribution Terminals

Outdoor Fiber Splice,  
Demarcation and  
Distribution Terminals

Separate Feeder Splice  
and Customer Drop  
Compartments

Available with Splice Trays,  
Pigtails and Adapters

Craft-Friendly Design

Lightweight Aluminum  
Construction

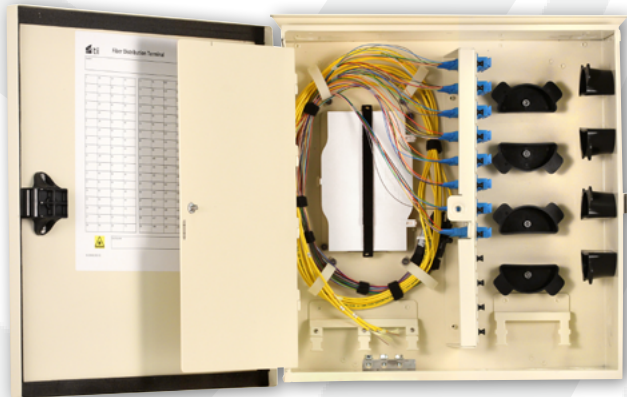
Weatherproof:  
Meets NEMA4 and  
GR-2898 Requirements



**Tii Technologies Inc.**

**Corporate Headquarters:**

141 Rodeo Drive  
Edgewood, NY 11717  
Phone: 631.789.5000  
Fax: 631.789.5063  
Toll Free: 888.844.4720  
sales@tiitech.com



The FDT Series Outdoor Fiber Distribution Terminals provide splicing connectivity to the OSP feeder fiber and an SC-APC point of demarcation for customer drop terminations. The weatherproof designs are ideally suited for outdoor installations, and have field installable adapter plates supporting up to 144 patch and splice fiber terminations. Two compartments separate the feeder terminations from the distribution terminations, and are protected by a lockable outer door.

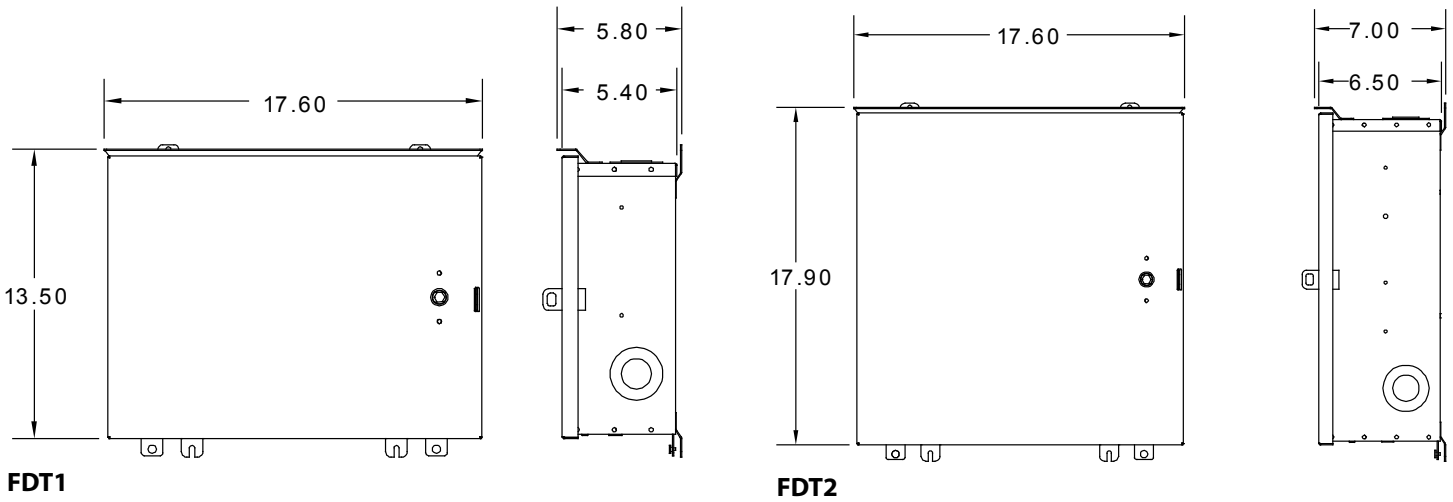
#### KEY PRODUCT BENEFITS

- ▶ Provides demarcation point between feeder fiber and customer drop fiber
- ▶ Separate feeder splice and customer drop compartments
- ▶ Ample customer drop slack storage
- ▶ Inner splice chamber cover and outdoor cover each individually secured with 216 tool compatible 3/8" hex head bolt and are pad-lockable
- ▶ Flexible cable entry and exit ports accommodate PVC conduit adapters or standard NPT cable glands. Entry/exit ports provide strength member clamps and accommodations for hose clamps
- ▶ Flexible cable entry and exit ports accommodate PVC conduit adapters or standard NPT cable glands
- ▶ Internal ground bus-bar with three 216 Hex screws and one external ground lug
- ▶ Inner cover is removable for easy installation/maintenance and can be used as a shelf to hold equipment during splicing

#### INDUSTRY STANDARDS

- ▶ Meets NEMA4 and GR-2898 Requirements

# FDT Series



Dimensions are in Inches

BASE PANEL	LGX PLATE CAPACITY	SPLICE TRAY CAPACITY	FEEDER			DISTRIBUTION				
			1" CONDUIT		COMBO 1" OR 2" CONDUIT		COMBO 1" OR 2" CONDUIT			1" CONDUIT
			BOTTOM	SIDE	TOP	BOTTOM	SIDE	TOP	BOTTOM	
FDT1	4	6	3	1	1	2	1	1	0	
FDT2	12	12	3	1	1	2	1	1	3	

## ORDERING INFORMATION

Model No.	Description
FDT1	Fiber Distribution Terminal 4 Plate 6 Tray Capacity Empty
FDT2	Fiber Distribution Terminal 12 Plate 12 Tray Capacity Empty
FST-ASF24	Splice Tray 24 Single Fusion
FST-AMF06	Splice Tray 6 Mass Fusion 72 Fibers
KT-CG-NPT-1	Cable Compression Gland NPT 1" (0.748 - 1.0")

## FACTORY LOADING OPTIONS

FDT	X	XX	X	XX	XX
	Series	Fiber Ports	Fiber Type	Adapters	Pigtails
	1	B = 12	R = Singlemode	LC = LC	N = None
	2	C = 16	K = MM62.5 OM1	SC = SC	5 = 250um Pigtails
		F = 24	S = MM50 OM3	SA = SC APC	9 = 900um Pigtails
		J = 48			R = 12 Fiber Ribbon Pigtail
		L = 72			
		N = 96			
		P = 144			