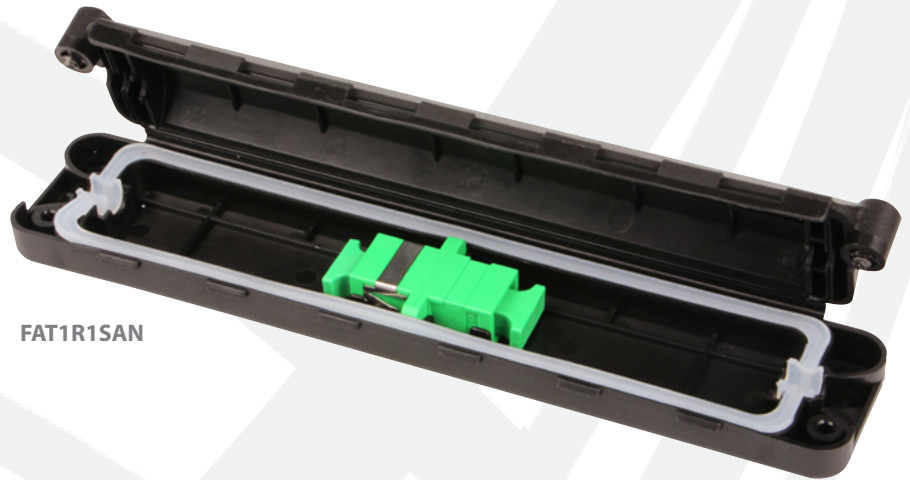


FAT1 Series

Fiber Access Termination Unit

UV and Impact Resistant
Accommodates 1 Fiber Port
Direct Termination
SC-UPC, SC-APC Interface
IP55 Rated



FAT1R1SAN

The FAT1 Series is a compact, outdoor wall mount fiber termination and distribution enclosure. This unit is typically used as an Optical Demarcation Point.

KEY PRODUCT BENEFITS

- ▶ Accommodates SC-UPC and SC-APC connectors.
- ▶ Compact design can terminate 1 fiber connection.
- ▶ Direct termination.
- ▶ Wall mountable

INDUSTRY STANDARDS

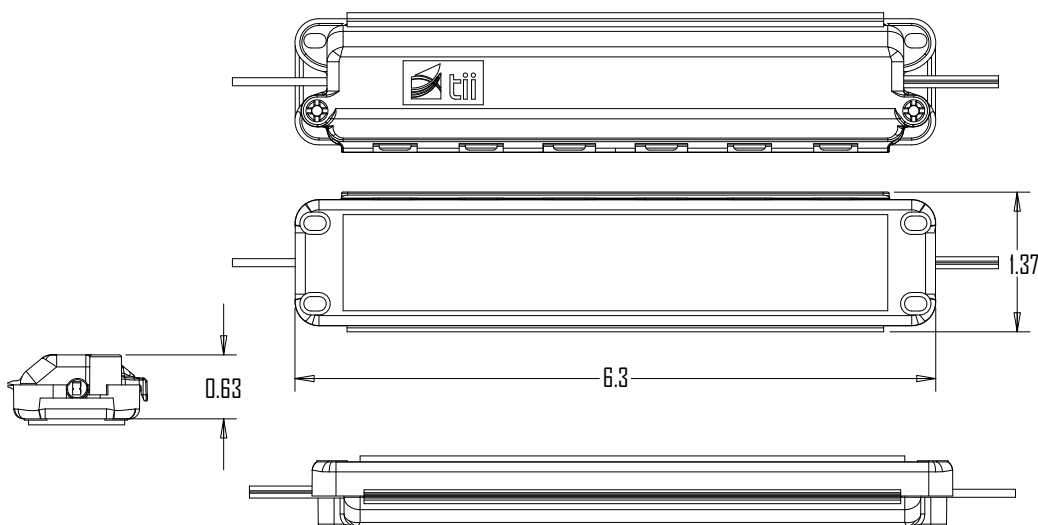
- ▶ IP55 Rated



Tii Technologies Inc.

Corporate Headquarters:
141 Rodeo Drive
Edgewood, NY 11717
Phone: 631.789.5000
Fax: 631.789.5063
Toll Free: 888.844.4720
sales@tiitech.com

FAT1 Series



Dimensions are in Inches

SPECIFICATIONS

Property	Value
Interface	1 port SC-UPC or SC-APC
Physical Dimensions	1.37" (H) x 6.30" (W) x 0.63" (D)
Material	Molded Plastic, Black

ORDERING INFORMATION

Model No.	Description
FAT1R1SAN	1 Port Patch Panel SC-APC
FAT1R1SCN	1 Port Patch Panel SC-UPC